



# Trex® RainEscape®

DECK DRAINAGE SYSTEM

## INSTALLATION GUIDE



# Trex® RainEscape®

DECK DRAINAGE SYSTEM



## CREATE YOUR OUTDOOR LIVING ROOM

Trex RainEscape is a unique under-deck drainage system - a network of troughs and gutters-keeps rain, spills and snow melt from dripping through elevated deck boards, creating a dry patio area on the ground level below, perfect for adding lighting fixtures, ceiling fans, entertainment systems, and more.



LIGHTING  
FIXTURES



CEILING FANS



ENTERTAINMENT  
SYSTEMS



FIREPITS

# INSTALLATION GUIDE

In your hands, you're holding everything you need to build your Trex RainEscape Deck Drainage System. This step-by-step guide will show you how to turn your underdeck into an outdoor living space.



# TREX® RAINESCAPE® INSTALLATION GUIDE

## BASIC INSTALLATION

Parts .....	3
Tools .....	3
Prep .....	4
Installing the Trex RainEscape Downspout .....	4
Installing the Trex RainEscape Trough .....	5
Tape all Seams .....	6
Installation of a Gutter System .....	7

## MODIFICATIONS & SPECIAL CASES

Single Picture Frame .....	8
Double or Triple Picture Frame .....	8
Cantilevered Downspout .....	9
Obstructions & Posts .....	9
Using the Trex RainEscape Post Flash.....	9
Surface Post Mount.....	10
Installation of a Trough Over a Double or Triple Beam .....	10
Modified Downspouts .....	10
Cutting Around Downspouts and Obstructions .....	10
Double Extended Decks .....	11
Low Profile Can Lights .....	11
Installing Over Deck Steps.....	11

<b>INSTALLATION OVER A TREX ELEVATIONS® SYSTEM .....</b>	<b>12</b>
--	-----------

<b>WARRANTY .....</b>	<b>13</b>
-----------------------	-----------

<b>Q &amp; A .....</b>	<b>14</b>
------------------------	-----------

### DO'S

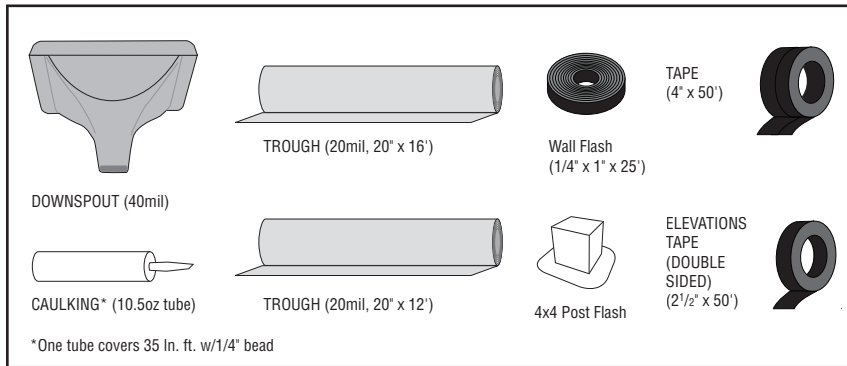
- » DO make sure your joists are straight and square. Gutters should have outlets every 12' to 14'.
- » DO make sure the trough is wrinkle free and has proper fall to the downspout. Check with local agencies for permits and codes prior to any electrical installations.
- » DO check out Trex RainEscape channel on youtube.com.
- » DO call Trex RainEscape at (1-877-348-1385).

### DON'TS

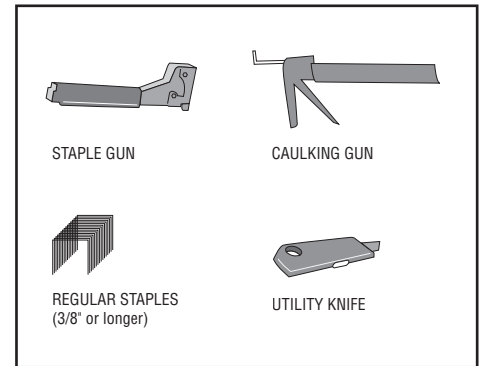
- » DO NOT staple Trex RainEscape products anywhere other than over floor joist, ledgers, rim joists, headers, etc.
- » DO NOT use spiked hidden fasteners. Call Trex RainEscape (1-877-348-1385) for directions.
- » DO NOT stand anywhere other than directly on top of floor joists, ledgers, rim joists or headers as the Trex RainEscape system **will not support you.**
- » DO NOT pre-drill decking on the Trex RainEscape product.
- » DO NOT overlap troughs to extend length.

# BASIC INSTALLATION

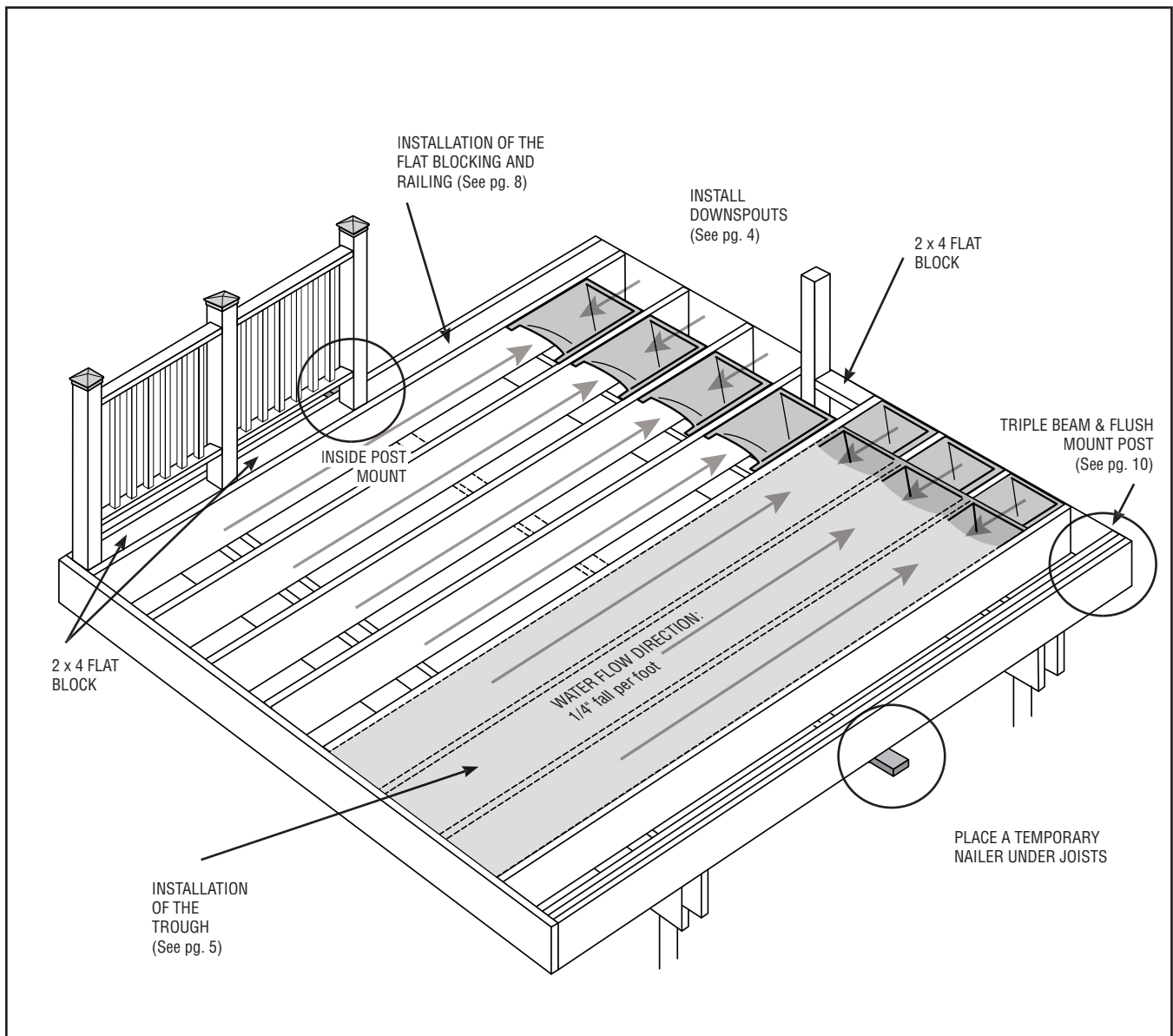
## PARTS



## TOOLS



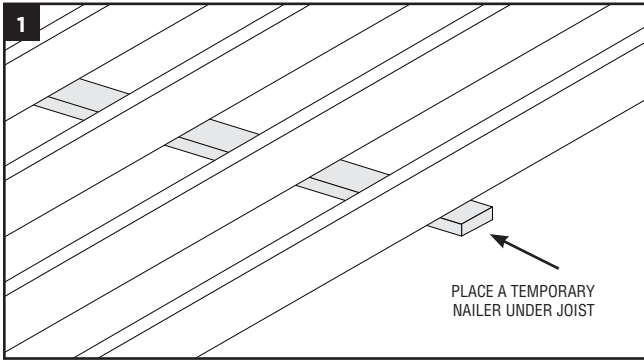
## FRAMING DETAIL



# BASIC INSTALLATION

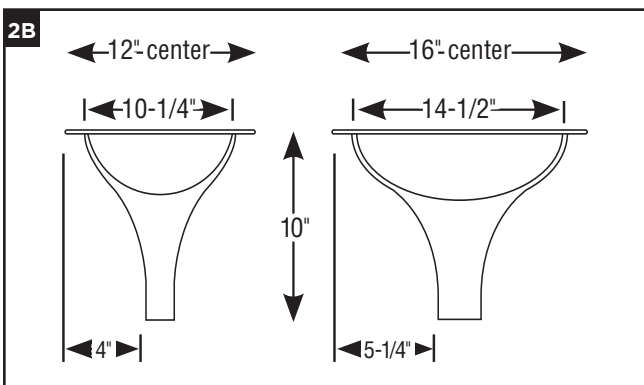
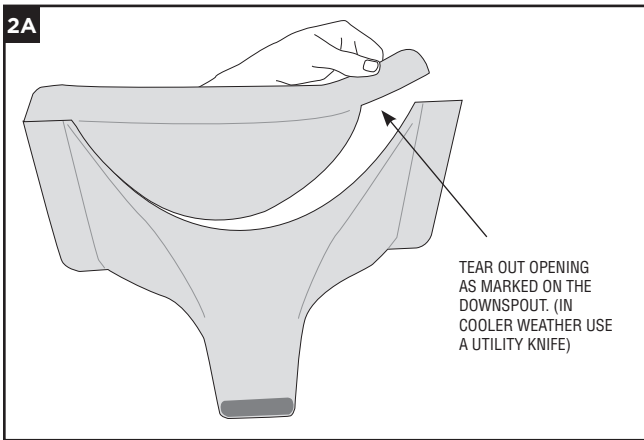
## 1. PREPARATION

- »Read all instructions completely before beginning.
- »Place a midspan nailer on the underside of joists to keep them straight and prevent rolling.
- »Can be removed when soffit or ceiling is installed.

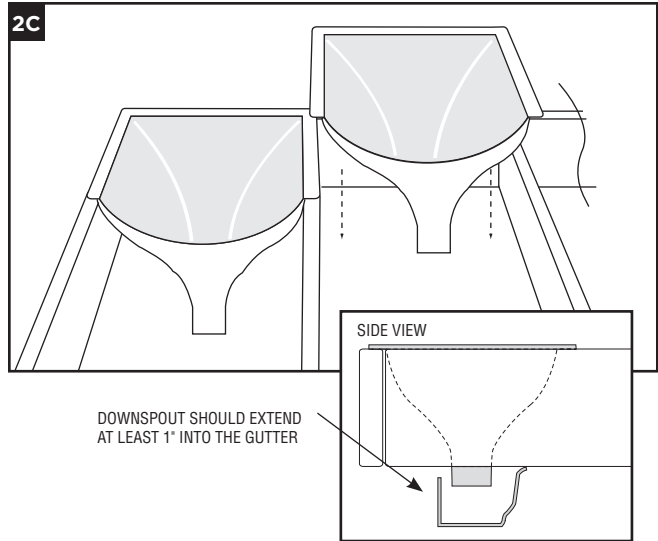


## 2. INSTALLING THE TREX RAINESCAPE DOWNSPOUT

- »Cut downspouts along one 12" or 16" side of score mark based on joist spacing.
- »Install all downspouts along rim joist and/or ledger board. Cut-out side should face open deck bay.



- »Downspout should extend 1" into gutter: cut or extend as necessary. (2C)



## 3. FOUR TYPES OF FLASHING:

### With Flashing

- »When using flashing add a bead of caulk at the ledger board and between the flashing and trough. Tape over the flashing to the top of the of the trough. (3A)

### Without Flashing

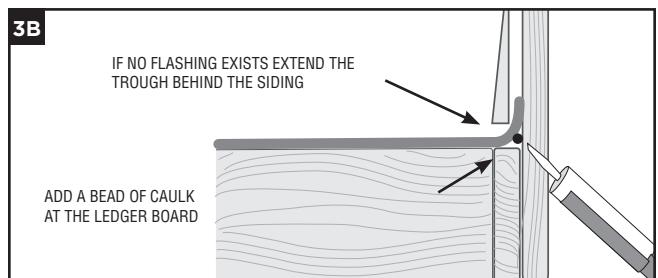
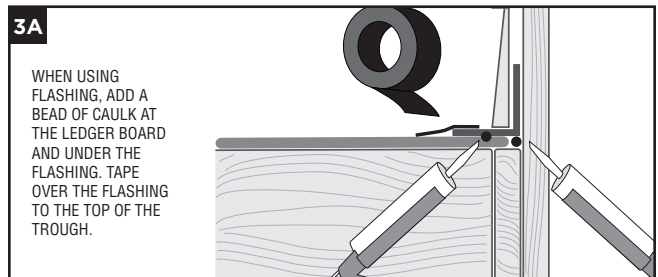
- »If there is no flashing at the ledger, slide 3" of trough material under the existing siding. (3B)

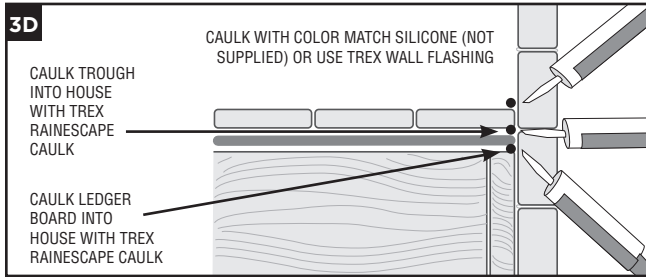
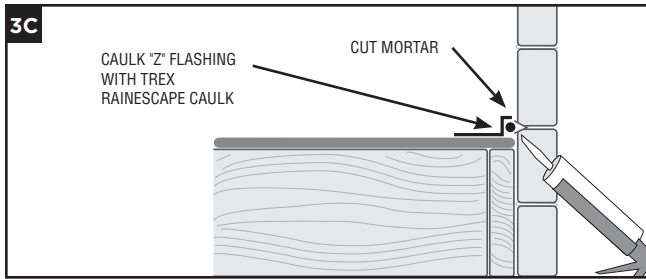
### Flashing with Brick or Stucco

- »Cut into mortar or cement joint. (3C) Caulk "Z" flashing into mortar. Install trough under flashing as shown in (3A).

### No Flashing with Brick or Stucco

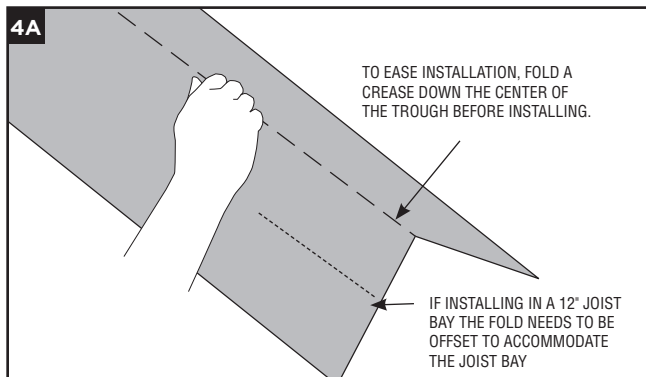
- »If installing against brick or stucco and you **DO NOT** need a 100% water tight seal, use the caulking method. (3D)



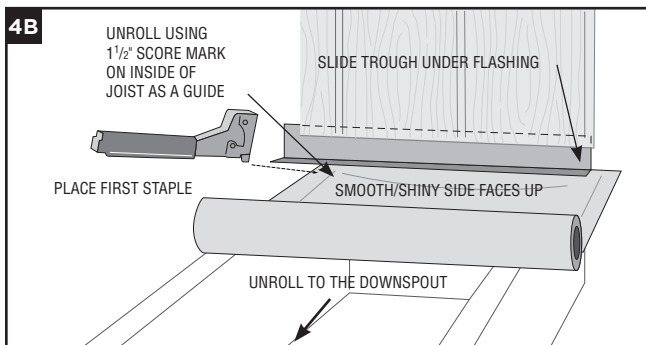


#### 4. INSTALLING THE TREX RAINESCAPE TROUGH

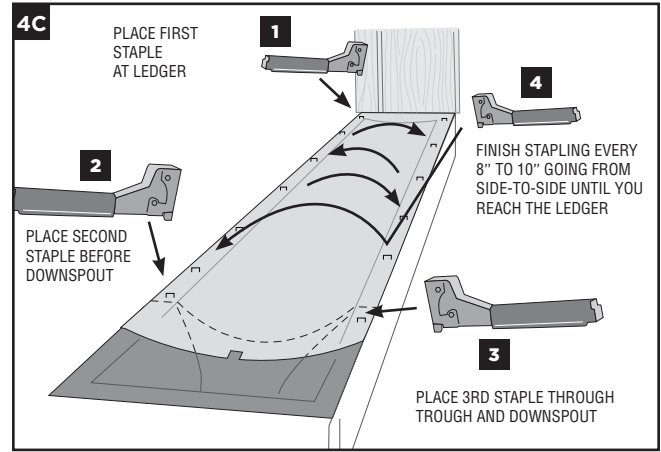
- » **NOTE:** If installing when temperatures fluctuate drastically, be sure to acclimate trough material before installing. Here are two ways.
- » Fold a heavy crease down the center of the trough. Be sure to account for the offset if installing for a 12" joist bay. (4A)
- » Unroll trough material, giving plastic time to relax and acclimate to outdoor temperatures. (4B)



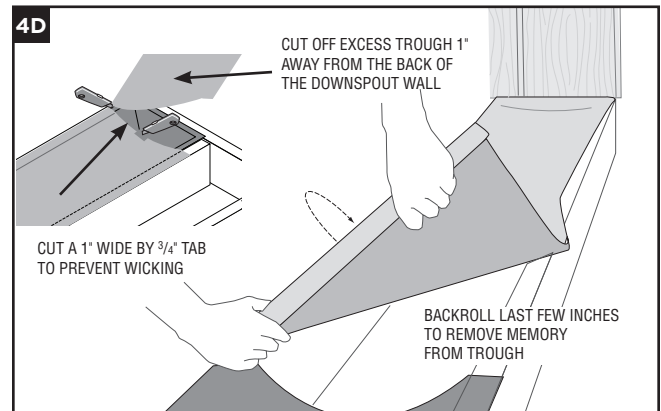
When working with the Trex RainEscape trough material, ensure that the smooth/shiny side always faces up. (4B)



- » Line up the 1½" score with the second joist. (4C)
- » Place first staple at ledger board on 1-½" score mark side. (4C)



- » Unroll trough to downspout using 1-½" score mark on inside joist as guide.
- » Cut trough to length to back wall of downspout.
- » To remove memory from sheet, backroll the last few inches of the trough. (4D)

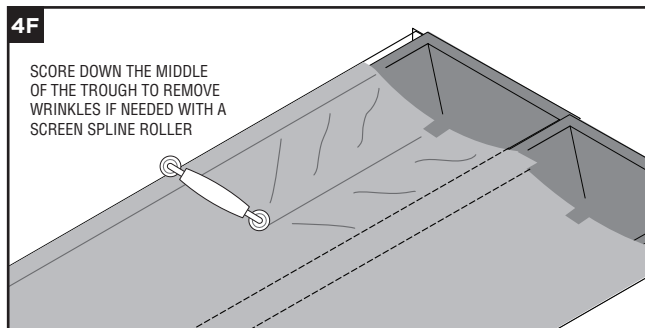
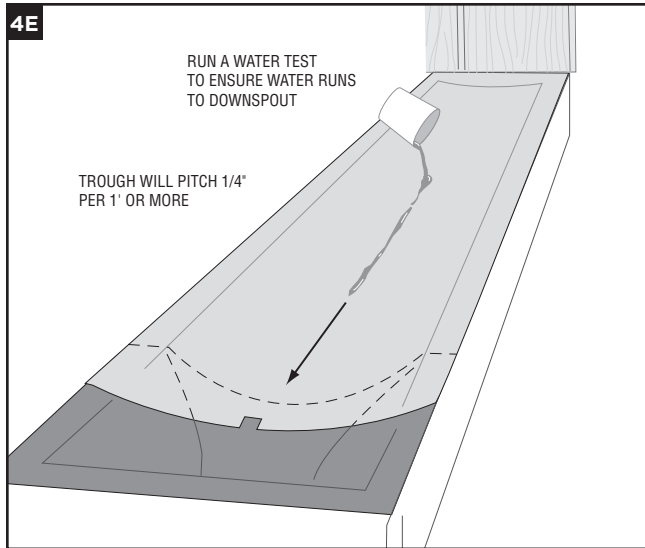


- » Pull trough tight to ensure memory is released, and place second staple on inside joist through downspout. (4C)
- » **NOTE:** If you are doing a run of 10' or more, put a mid-span staple in to avoid trough sagging.
- » On outside joist, form a trough into downspout while lining up the edge of the score mark with inside of joist. Place third staple through trough and downspout on outside joist.
- » Cut a 1" wide by ¾" tab at center edge of trough (fold tab down) to prevent wicking. (4D)
- » Pull corner at ledger and outside joist tight keeping entire length of trough smooth and wrinkle-free so as not to impede water flow. (4C)
- » Place fourth staple on outside joist. (4C)
- » Continue stapling every 6" to 8" from downspout to ledger on both joists to secure. (4C)

## BASIC INSTALLATION

»To test for correct slope, pour a cup of water on trough at ledger board ensuring water runs to the downspout. (4E)

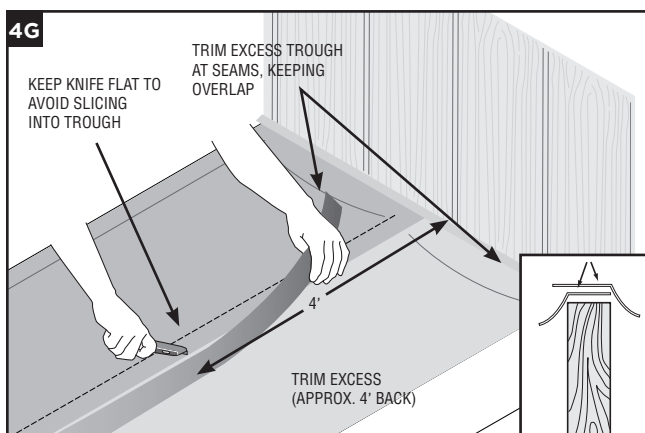
»Follow above step for the remaining troughs.



**NOTE:** In extreme temperature swings, trough material will expand and contract. Some wrinkling is acceptable but should not impede the flow of water.

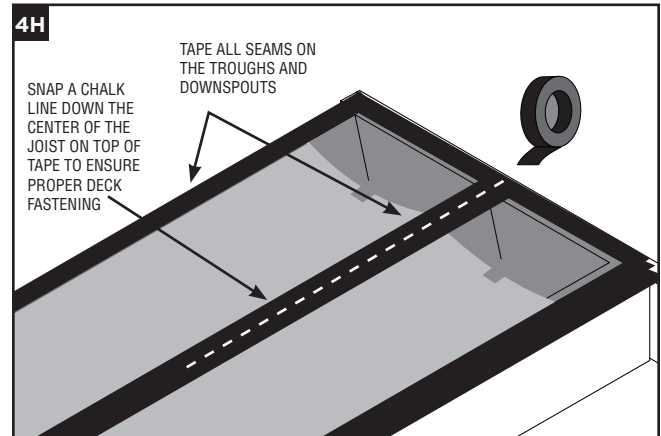
### TAPE ALL SEAMS

»Trim excess trough at seams, keeping overlap so tape will cover the top of the joist and seams. (4G)



»Using Trex RainEscape tape, tape ALL seams, joints and perimeter making sure the flashing is taped to the trough. (4H)

**NOTE:** Tape works off of compression and must be pinched between decking and joist to make a tight seal.



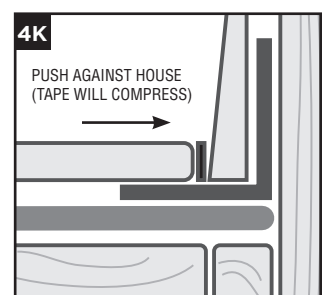
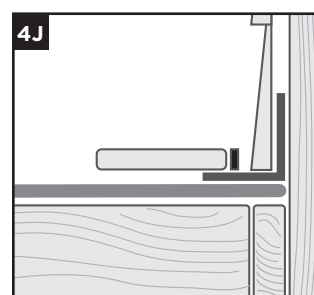
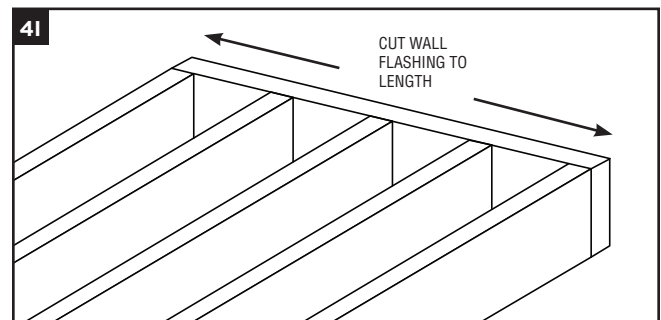
**NOTE:** Trex RainEscape Caulk can be used instead of tape, if preferred. If using caulk, it must be applied between ALL product overlaps and between product and joist on perimeter of deck. In cases where tape will not stick, (usually on brick or stucco).

### WALL FLASHING FOAM STRIP

»Cut a piece of the self-adhesive wall flash the width of the deck. (4I)

»Peel release paper from the wall flashing and adhere to decking, siding or flashing. (4J)

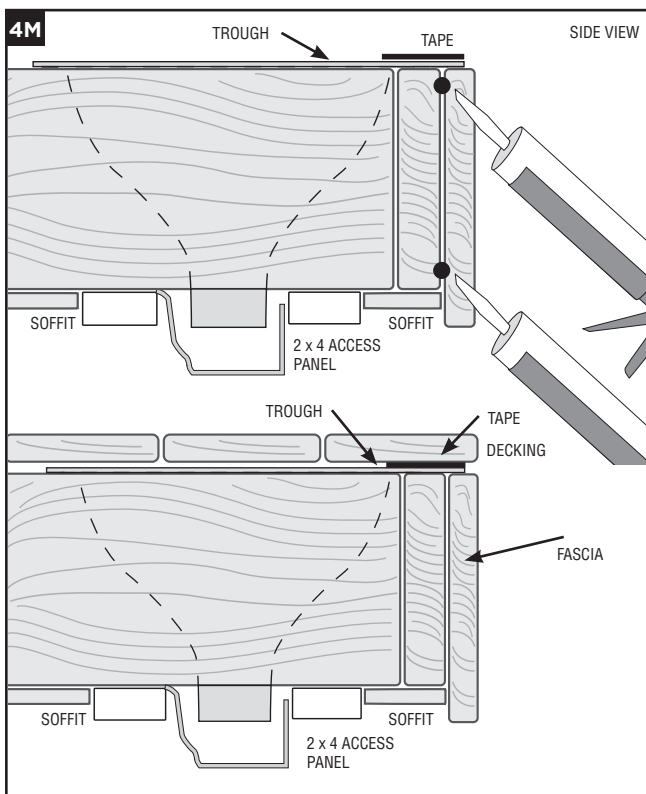
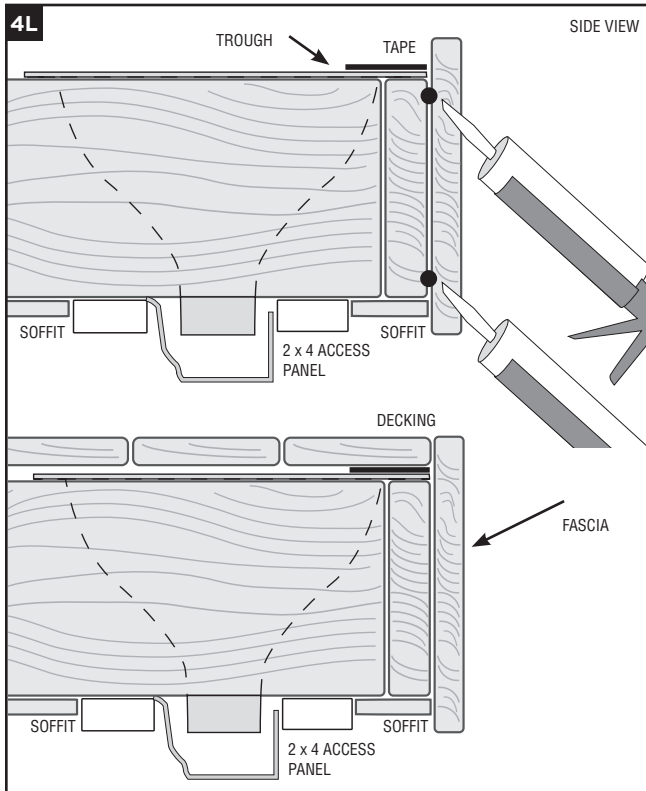
»Push first deck board up against house to compress wall flash. Then secure decking. (4K)





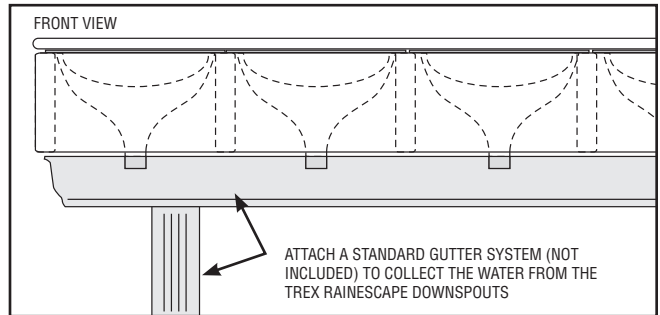
### INSTALLATION OF FASCIA

- »Two suggested ways to seal fascia:
- Deck board butt against fascia (4L)
- Deck board go over fascia (4M)

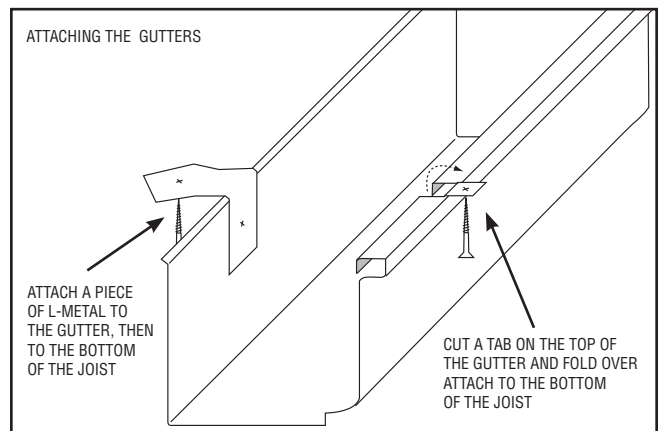
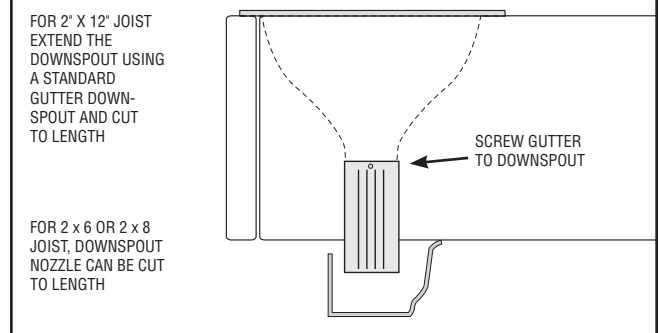
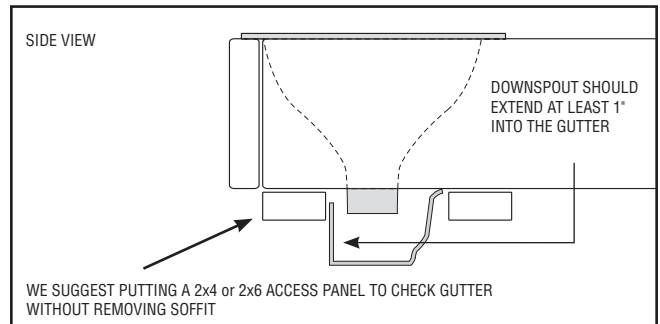


### INSTALLING A GUTTER SYSTEM (not included)

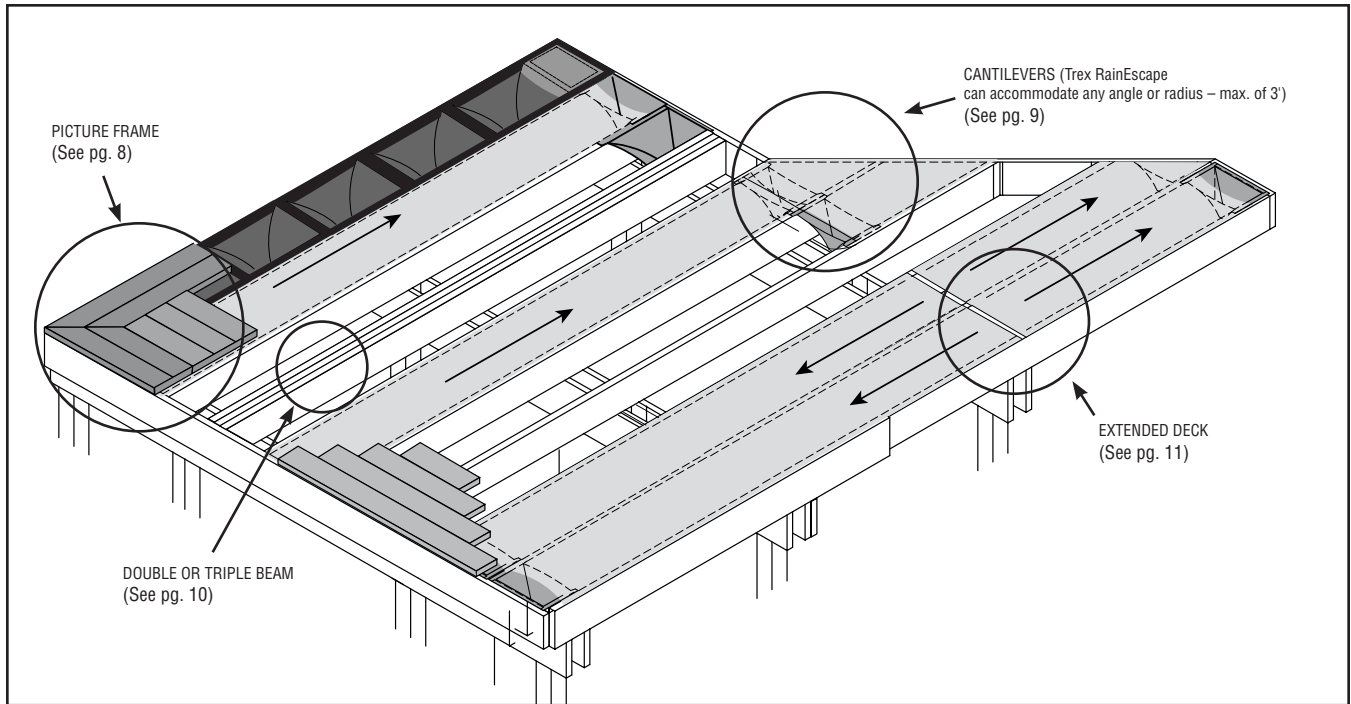
- »Before installing a gutter system perform a water test to clean out the system and check for any leaks.
- »Attach a standard gutter system to collect the water from the Trex RainEscape downspouts.



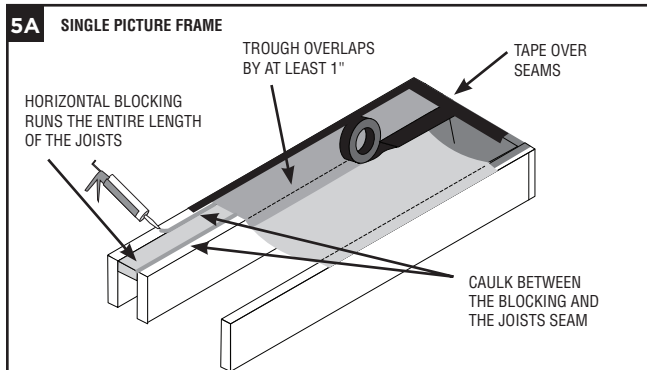
**NOTE:** Installing a clean-out trim piece will allow access to gutter line after installation.



# MODIFICATIONS AND SPECIAL CASES



MODIFICATIONS & SPECIAL CASES

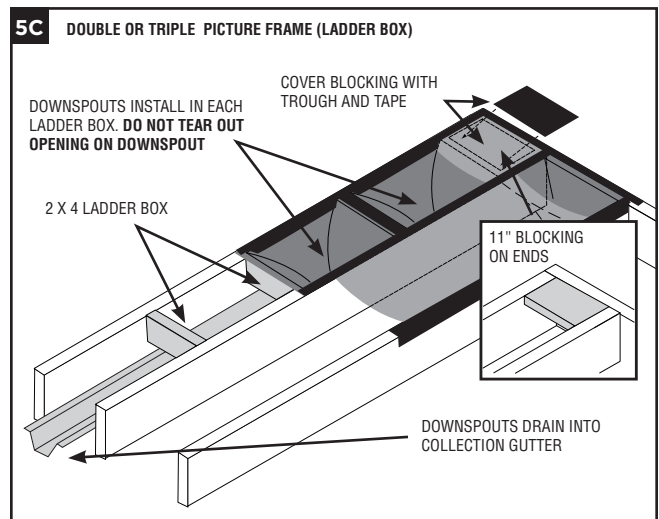
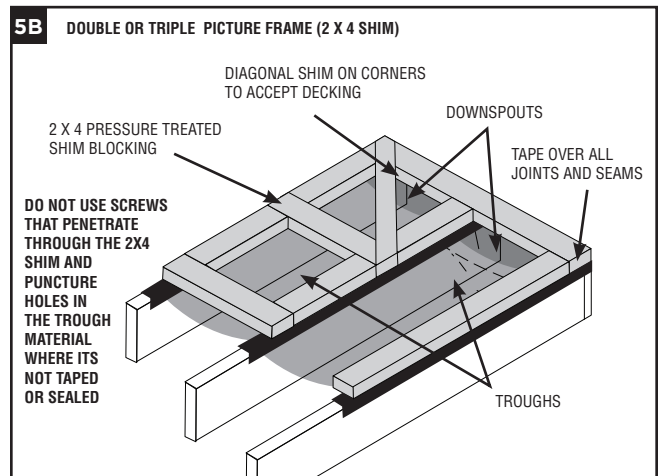


## 5A. SINGLE PICTURE FRAME

- »Place a horizontal nailer flush with the top of the joist from the ledger board to the rim joist.
- »Caulk between the blocking and the joists seam.
- »Cover nailer with trough, making sure to overlap adjoining downspout and trough.
- »Cover all seams with tape.

## 5B. DOUBLE OR TRIPLE PICTURE FRAME: 2 X 4 SHIMS

- »Install the Trex RainEscape system as per previous instructions. (Page 3-7)
- »Tape all joints and seams.
- »Place 2 x 4 pressure-treated shim blocking on top of the installed downspouts and troughs.
- »Attach decking. (When attaching decking use fasteners that do not penetrate all the way through the 2 x 4 shim).

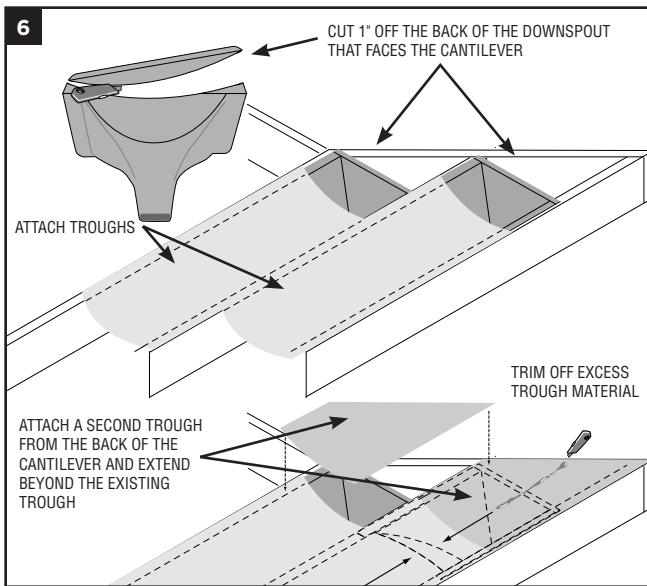


### 5C. DOUBLE OR TRIPLE PICTURE FRAME: LADDER BOX

- »Place a 11" blocking horizontally on the ends of the bay to support 45 d ecking.
- »Install a 2 x 4 ladder box to support downspouts.
- »Trim off all downspout nozzles to accommodate gutter.
- »Place downspouts into ladder box (DO NOT REMOVE OPENINGS).
- »Install a piece of trough material over the 11" blocking, making sure to overlap downspouts and the adjoining trough.
- »Tape over blocking, joints and seams making sure that all screw penetrations go through trough and tape.

### 6. CANTILEVERED DOWNSPOUT

- »Tear off the cut-out on the front panel of the downspout.
- »On the back side of the downspout draw a line from corner to corner extending down 1". Cut the downspout following the line.
- »Staple the trough material from the end of the cantilever over the existing trough. Repeat all the steps as necessary for trough installation.
- »Tape over all joints and seams.

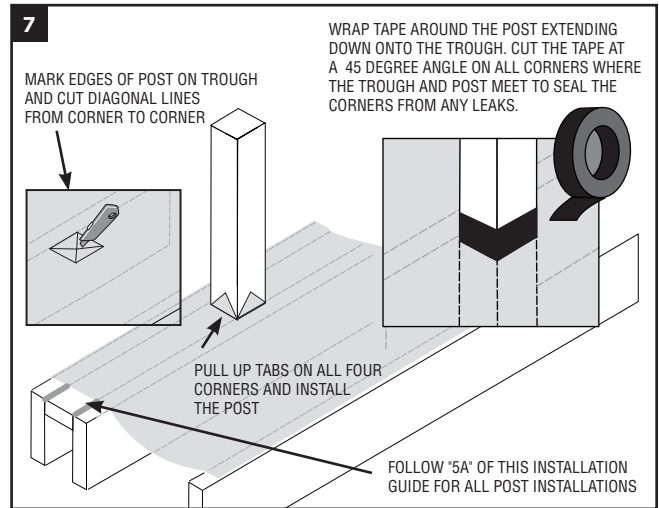


### 7. POST/RAILINGS AND OBSTRUCTIONS WITHOUT POST FLASH

- »To install a post or obstruction on the inside rim joist, first mark the edges of the post on the trough and draw two lines, corner to corner. Cut along the diagonal lines.
- »Pull up tabs and install the post.
- »Tape starting at bottom of the trough, up the post overlapping layers to assure a water tight seal working up around the post extending down onto

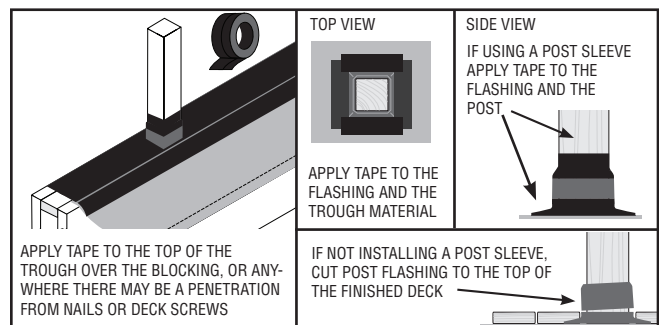
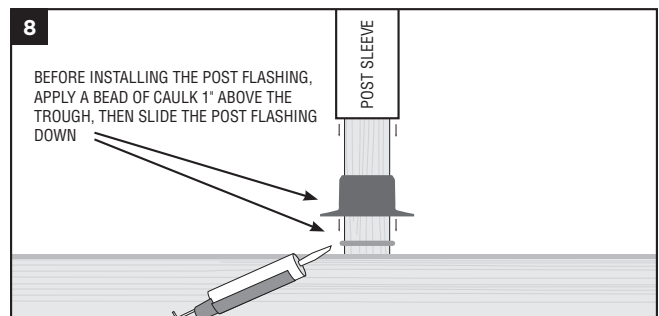
the trough. Cut the tape at a 45-degree angle on all corners. Place a small piece of tape over the corners where the trough and post meet, to seal the corners from any leaks.

- »Staple trough as per the previous instructions.



### 8. USING THE TREX RAINESCAPE POST FLASH

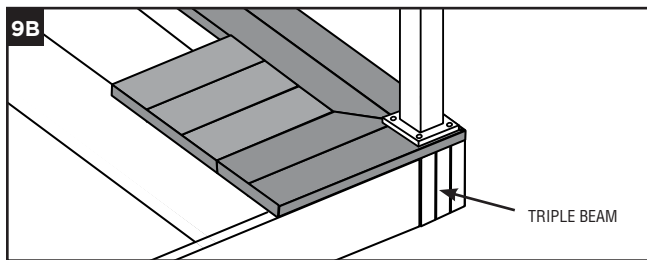
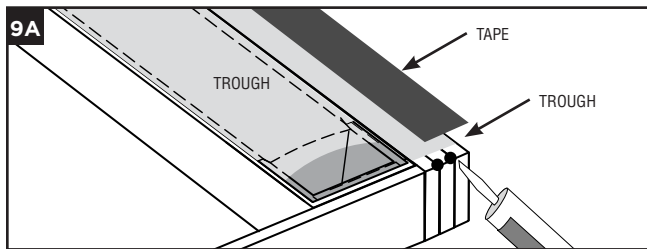
- »Install the trough as shown in number 5A of this installation guide.
- »Run a bead of caulk around the post, no more than 1" above the base of the post.
- »Slide the post flash down over the bead of caulk, and tape the flanges to the top of the trough and then tape the top of the post flash to the 4x4 post.
- »After decking is installed, attach the post sleeve.
- »If no post sleeve is used for the final deck, trim the post flash to the height of the finished deck.



## MODIFICATIONS AND SPECIAL CASES

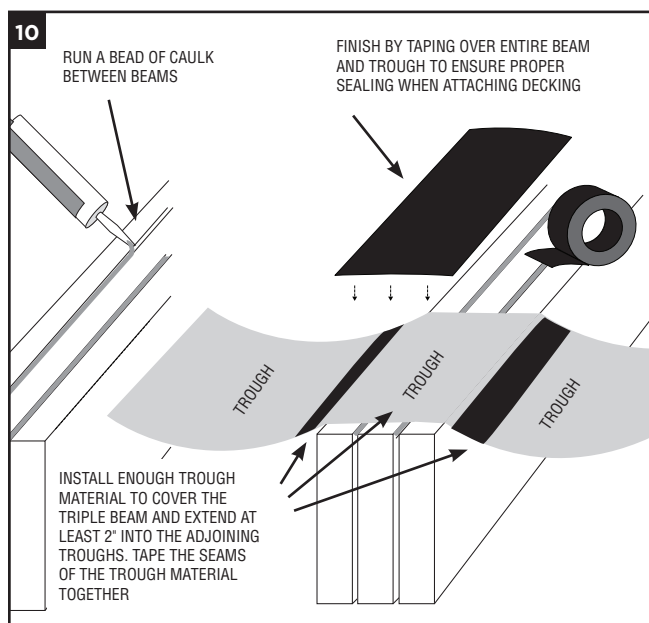
### 9. SURFACE MOUNT POST

- »When using surface mount post, pre-drill holes then use a small amount of Butyl caulk on screw threads to seal holes.
- »DO NOT use too much caulk or it will overflow on deck and post mount.



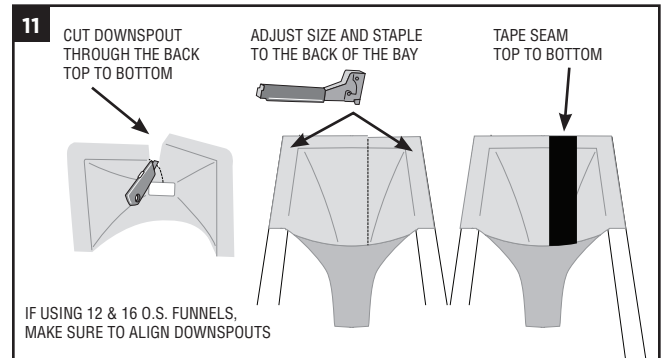
### 10. INSTALLING A TROUGH OVER A DOUBLE OR TRIPLE BEAM

- »Caulk between each beam to ensure a water tight seal between the beams.
- »Cover the top of the beam with the trough material that overlaps into both adjacent bays. Tape seams and trough material where screw penetration may occur.
- »Tape over the top of the triple beam and trough material that sits on top of the beam.



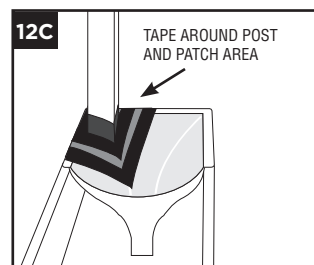
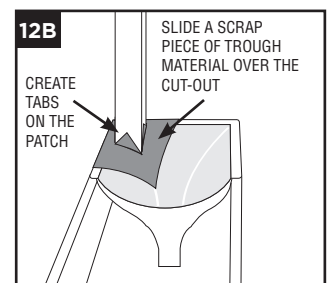
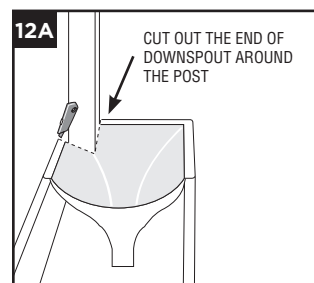
### 11. MODIFIED DOWNSPOUTS

- »For odd joist spacing you must modify the downspout.
- »Tear or cut out the front opening.
- »Cut through the back of the downspout, so that downspout fits bay opening.
- »Adjust the downspout to fit in the bay & staple to secure.
- »Finish by taping the seam from top to bottom.

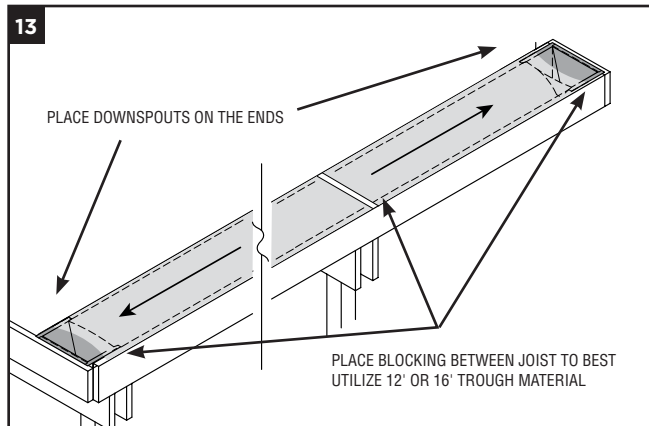


### 12. MODIFYING DOWNSPOUT FOR OBSTRUCTIONS

- »Trace the obstruction on the downspout and remove the material with a knife. (12A)
- »Cut a patch of trough material 2" larger than the opening and create flaps on patch as per previous instructions (obstructions and posts) and slide over the top of the obstruction. (12B)
- »Tape over trough material, using caulking if necessary. (12C)



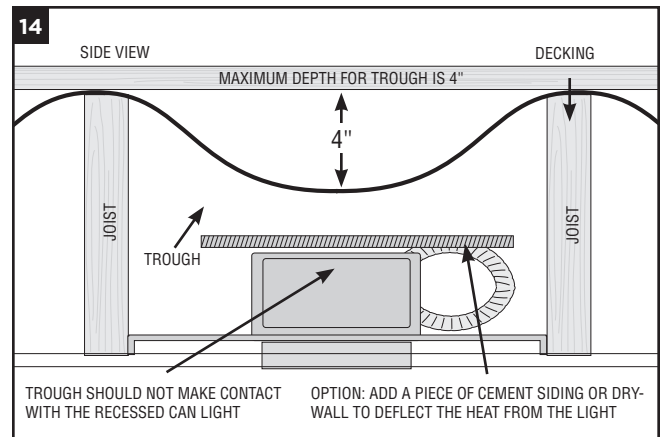
### 13. DOUBLE EXTENDED DECKS (OVER 19')



- »Place downspouts on the opposite ends from where the existing deck and the deck extension meet.
- »Install a trough from the blocking of the extension to the downspout.
- »Tape all seams & edges as per previous instructions.

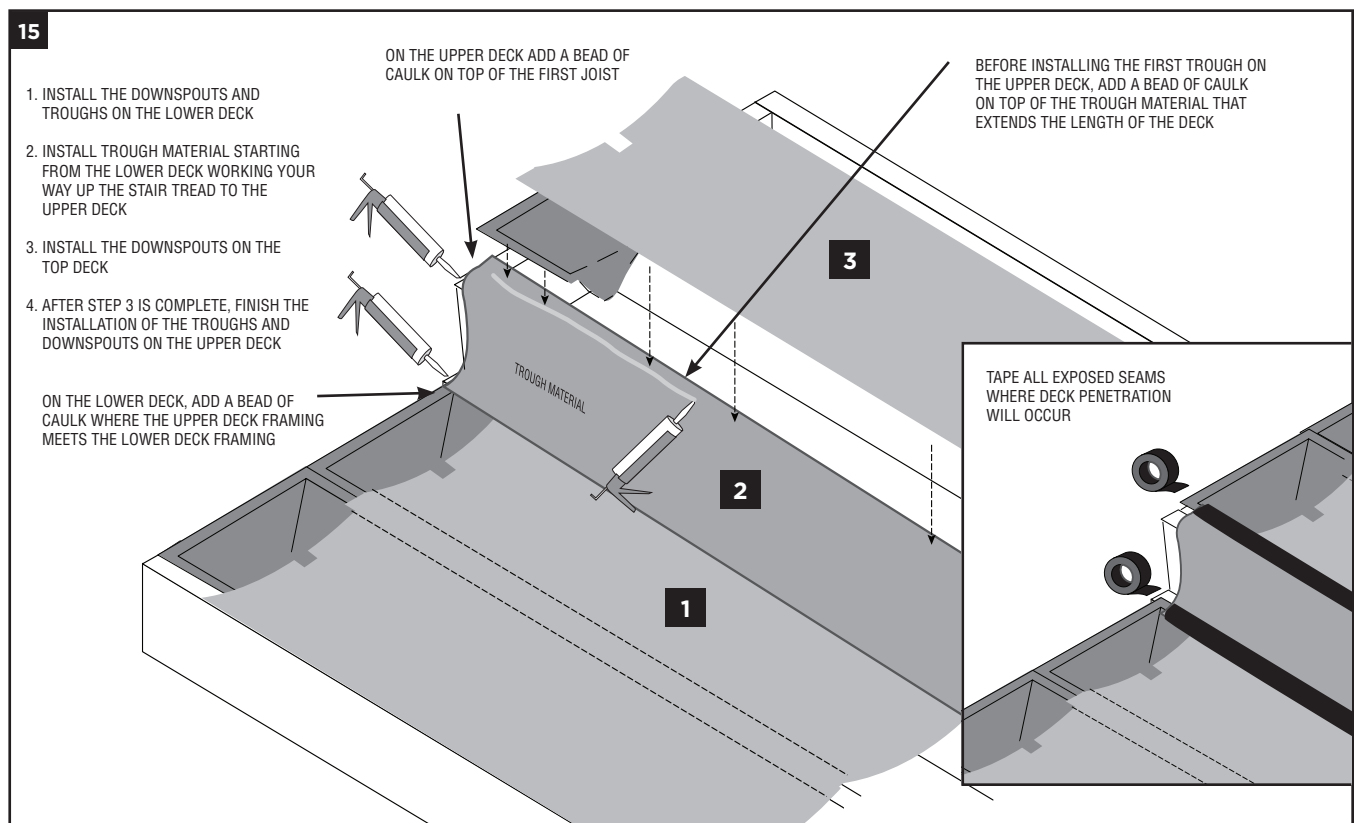
### 14. LOW PROFILE CAN LIGHTS

- »When installing low profile can lights below the trough, make sure the trough is not in contact with the recessed can.

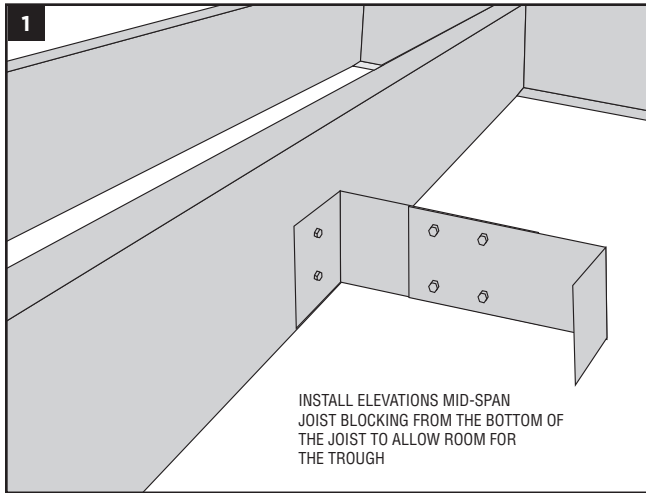


### 15. DECK STEP

- »(1) Install the downspouts and troughs on the lower deck.
- »(2) Install trough material starting from the lower deck working your way up the stair tread to the upper deck. Overlap the trough material from step 1.
- »(3) Install the trough and downspouts on the top deck.
- »(4) After step 3 is complete, finish the installation of the troughs and downspouts on the upper deck.
- »Tape over all exposed seams and where deck screws will penetrate.



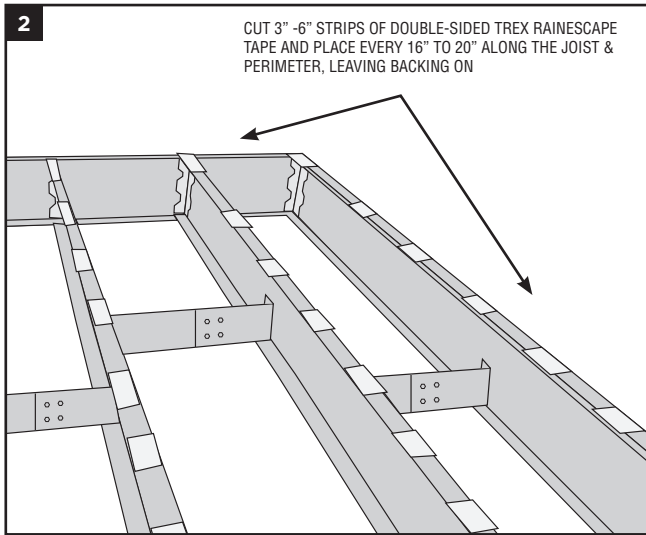
# INSTALLATION USING THE TREX ELEVATIONS® SYSTEM



## 1. PREP

»Apply blocking mid-span between joists.

**NOTE:** To properly install the Trex RainEscape system over the Trex Elevations system requires a minimum of 2 people.



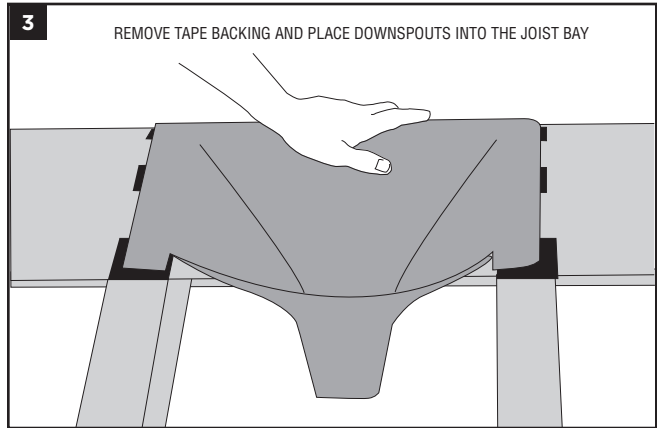
## 2. TAPE AROUND JOIST AND PERIMETER

»Cut 3" - 6" strips of the Trex RainEscape double-sided tape and place every 16" - 20" along the joists and perimeter leaving backing on.

»Stagger tape on second layer of trough to keep flush and level.

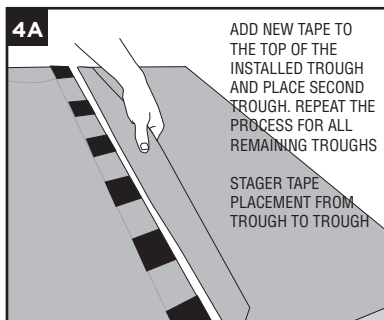
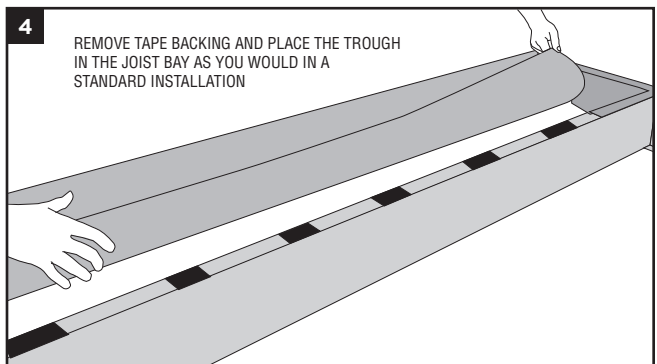
## 3. DOWNSPOUTS

- » Remove the backing on the double-sided tape and place the downspout in the joist bay.
- » Repeat the process the same as you would in a standard Trex RainEscape installation.



## 4. TROUGHS

- »Remove the backing on the double-sided tape on one side of the joist and place the first side of the trough as you would in a standard installation.
- »Place new strips of the Trex RainEscape double-sided tape along the top of the adjoining trough and install as you would in a standard installation. (4A)
- »In order to keep the trough from getting too bulky, stagger the placement for the second row of tape so as not to position it on top of the tape below.



## SEALING THE SYSTEM

»Tape the finished system as you would for a standard installation.

# 20-YEAR WARRANTY

**READ THESE WARRANTY TERMS CAREFULLY BEFORE INSTALLING OR USING THE TREX RAINESCAPE DECK DRAINAGE SYSTEM. YOUR INSTALLATION AND USE OF THE SYSTEM OR ANY OF ITS COMPONENTS INDICATES THAT YOU AGREE TO BE BOUND BY THESE TERMS. IF YOU DO NOT AGREE TO ALL OF THE TERMS OF THIS WARRANTY, RETURN THE PRODUCT TO THE PLACE OF PURCHASE FOR A FULL REFUND.**

This warranty gives you specific legal rights, and you may also have other rights which vary from State to State.

## 1. WARRANTY

Dri-Deck Enterprises, LLC (Dri-Deck) warrants that at the time of sale the components of the Trex RainEscape Deck Drainage System (the "System") will be free from defects in material and manufacture and will conform to Dri-Deck's specifications for the components. Dri-Deck further warrants that for a period of twenty years after sale the System will not leak, PROVIDED THAT it is installed and maintained in accordance with Dri-Deck's instructions and is not subjected to (a) alteration or unauthorized repairs, (b) misuse or abuse, such as by puncturing, cutting, burning, melting and the like, (c) Acts of God (including without limitation hurricanes, tornadoes, floods, earthquakes, or other severe weather or natural phenomena), or (d) improper storage or handling or other treatment or installations for which it was not intended. This warranty extends only to the first owner ("the Owner") of the structure on which the system is installed who uses the structure for its intended purpose---whether residential or commercial.

## 2. DISCLAIMER OF OTHER WARRANTIES

The preceding warranties are the exclusive and sole express warranties given by Dri-Deck. They supersede any prior, contrary or additional representations, whether oral or written. DRI-DECK HEREBY DISCLAIMS AND EXCLUDES ALL WARRANTIES WHETHER EXPRESS, IMPLIED, OR STATUTORY-INCLUDING ANY ARISING FROM COURSE OF DEALING OR USAGE OF TRADE, ANY WARRANTY OF MERCHANTABILITY AND ANY WARRANTY OF FITNESS FOR A PARTICULAR PURPOSE, except that for System components purchased directly by a consumer, any implied warranties are limited in duration to the term of express warranties provided above. Some states do not allow limitations on how long an implied warranty lasts, so the above limitation may not apply to you.

## 3. EXCLUSIVE REMEDY FOR ANY NONCONFORMITIES

If during the applicable warranty period, the System or its components do not conform to the preceding Warranties, the Owner shall notify Dri-Deck as provided below, and with-

in a reasonable time Dri-Deck will provide, at its option, one of the following: (1) replacement components for any non-conforming or defective components or (2) the percentage of the purchase price for the non-conforming System components equal to the percentage of the warranty period remaining when Dri-Deck is notified of the nonconformity. Dri-Deck will not be liable for labor, costs of removal or re-installation of components, disposal, freight, taxes, or other incidental charges. THESE REMEDIES ARE THE EXCLUSIVE AND SOLE REMEDIES FOR ANY BREACH OF WARRANTY. For any breach of warranty, the owner must notify Dri-Deck in writing at the address in Section 7 within thirty (30) days after discovering the nonconformity. The notice must describe the location and nature of the nonconformity. The owner must give Dri-deck a reasonable opportunity to examine the claimed nonconformity before undertaking any repairs, removal or replacement. The owner must present the original invoice, bill, or other proof of date of purchase. Compliance with the requirements of this paragraph is a condition to coverage under the Warranty: if these requirements are not complied with Dri-Deck will have no obligation to provide any remedy for any breach of warranty.

## 4. DISCLAIMER OF INCIDENTAL AND CONSEQUENTIAL DAMAGES

IN NO EVENT SHALL DRI-DECK BE LIABLE FOR ANY INCIDENTAL, SPECIAL, INDIRECT, OR CONSEQUENTIAL DAMAGES, WHETHER RESULTING FROM NONDELIVERY OR FROM THE USE, MISUSE, OR INABILITY TO USE THE PRODUCT OR FROM DEFECTS IN THE PRODUCT OR FROM DRI-DECK'S OWN NEGLIGENCE. Some states do not allow the exclusion or limitation of incidental or consequential damages, so the above limitations may not apply to you.

## 5. APPLICABLE LAW

This warranty will be interpreted, construed, and enforced in all respects in accordance with the Laws of the State of Colorado, without reference to its choice of law rules. The U.N. Convention on Contracts for International Sale of Goods will not apply to this warranty.

## 6. SEVERABILITY

If any provision of this warranty is found to be invalid or unenforceable, then the remainder shall have full force and the invalid provision shall be partially enforced to the maximum extent permitted by law to effectuate the purpose of the agreement.

## 7. ADDRESS FOR NOTICES TO DRI-DECK

2965 S Tejon St  
Englewood, CO 80110

## FREQUENTLY ASKED QUESTIONS

### **Q: Do you have installation videos?**

**A:** Yes, go to youtube.com and type in "Trex RainEscape".

### **Q: Can I install the system myself?**

**A:** Yes, with the easy-to-follow instructions that come with the Trex RainEscape system, utility knife, staple gun and caulking gun are all you need to install the system in one or two hours on most decks. The installation goes quicker with two people.

### **Q: Can I install this over an existing deck?**

**A:** Yes, but the existing deck boards must be removed while you install the Trex RainEscape System.

### **Q: How do Trex RainEscape's prices compare to other similar systems?**

**A:** Although Trex RainEscape is a unique water drainage system, it costs less than the nearest competitor.

### **Q: How durable is the Trex RainEscape System?**

**A:** Made with durable plastic and Ultra Violet inhibitors, the Trex RainEscape system will be protected from the sun, snow and rain.

### **Q: How do you clean out the debris?**

**A:** There should be very little if any debris that enters the system because it has to be small enough to fit through the decking. Small debris simply passes through the system with water. In the rare case that there is some build up, simply remove the piece of decking over the affected area and clean as needed or use the 2x4 access panel.

### **Q: What are the overall benefits of the Trex RainEscape System?**

- 1.** It protects the structural integrity of your joist.
- 2.** Easy to install.
- 3.** The Trex RainEscape System allows you to create an indoor environment outdoors underneath your deck. You can install ceiling fans, speakers, video electronics and furniture that will all be safe from the elements.

### **Q: If I run into problems, is there a number I can call to ask questions?**

**A:** Yes, go to our website @ [trexrainscape.com](https://trexrainscape.com) or 1-800-BUY TREX



## HELPFUL TIPS

### TREX RAINESCAPE IS EASIER TO INSTALL WITH TWO PEOPLE

#### **Snow build-up**

Snow will sit on the decking and, as it melts, will run through the system.

#### **Leaves**

If leaves and debris accumulate in the troughs, a standard washing or a hard rain will clean out the system.

#### **If the tape will not stick**

In areas, such as the perimeter, brick or stucco, where the Trex RainEscape tape will not stick, use the Trex RainEscape caulking to adhere the material.

#### **Caution**

Do not splice trough material. If the trough material is spliced it must be replaced. Do not try to repair any damage with the Trex RainEscape tape.

**NOTES**

# Trex® RainEscape®

DECK DRAINAGE SYSTEM

EXPANDS YOUR OUTDOOR LIVING SPACE

---

PROTECTS THE SPACE BELOW YOUR DECK  
FROM RAIN, SUN AND OTHER ELEMENTS

---

PROTECTS YOUR FLOOR JOISTS  
FROM MOISTURE





To view TrexRainEscape  
video installation instructions  
please snap QR code.



**Trex** RainEscape®  
DECK DRAINAGE SYSTEM



[trexrainescape.com](http://trexrainescape.com)

FIND US ON



Trex RainEscape and Trex Protect are manufactured and/or distributed by Dri-Deck Enterprises, LLC. Trex is a trademark of, and is used by Dri-Deck Enterprises, LLC. under a license with, Trex Company, Inc.

© 2017 Trex Company, Inc. All rights reserved. Trex and the Trex logo are federally registered trademarks of Trex Company, Inc., Winchester, Virginia.