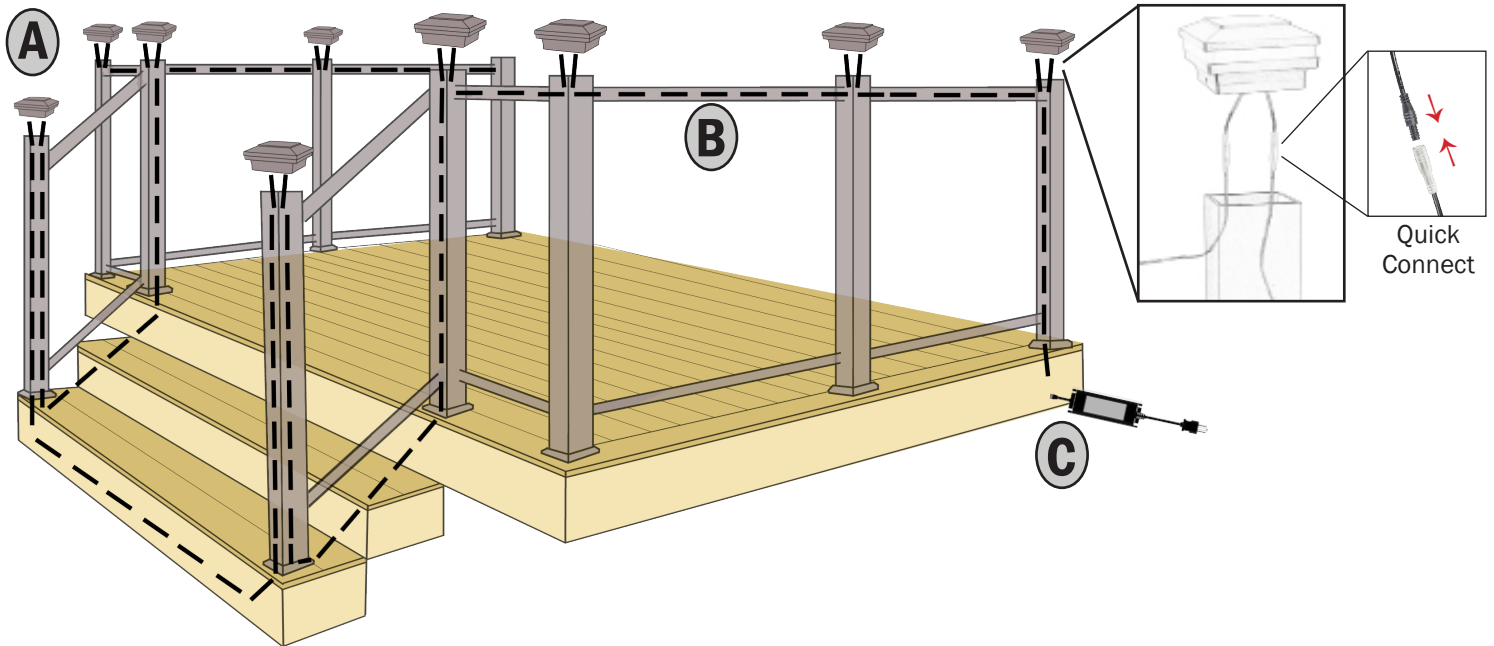


## Deck Wiring Overview



### Components List:



**A. Post Cap**



**B. 9' Quick Connect Cable**



**C. Power Supply  
(and accessories)**

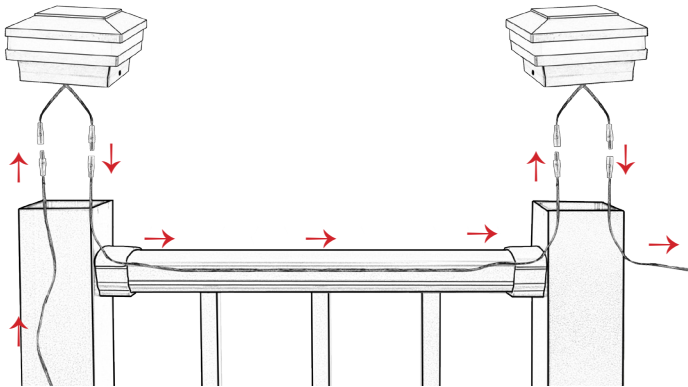
### Lighting Overview:

*\*\*See illustration above as reference. Dashed lines are a representation of approximate wire locations, each installation will vary.\*\**

- **Run wire from your transformer to the location of your first post.**  
*Note: Do not plug in transformer until all wires are run.*
- **Wiring will go up the post to your first lighting fixture. Drill a minimum 1/2" hole through the deck board to allow passage of the wiring through the board and into the post.**  
*Tip: Laying post on its side prior to attaching to deck will allow for easier installation of wire. Use a fish tape or equivalent to pull wire to the top of the post. Tape wire to the top of post.*
- **Once wire is installed into first post, stand the post upright and secure into place.** (Plumb as necessary)
- **From the first lighting fixture, run a 9' Quick Connect Cable into the post and through the top rail to the next light. Continue this method until all lights are connected. (Brackets and posts need to be drilled to run wire)**  
*Note: Wiring cannot be run through the top rail of stairs. For stairs, wiring should be run up the posts.*
- **Once lights are all connected, plug transformer into GFI protected 115V outlet and check to ensure all lights are illuminated, if any lights have not illuminated unplug transformer and check connections. Once all lights are working properly securely attach caps to the post.**

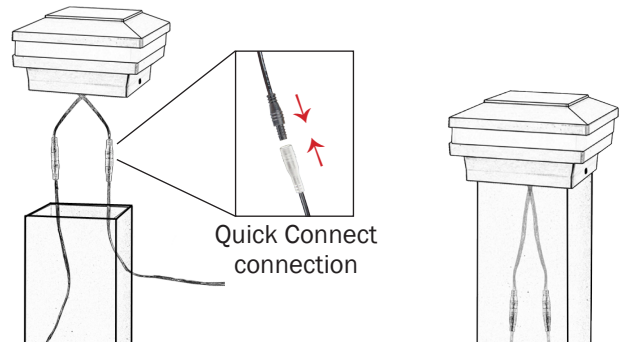
## Lighting Components

### Wiring



Run cable from the transformer up the first post to the post cap (left) and connect via Quick Connect connections. From there, use a 9' Quick Connect cable to run through the top rail to the next post. Continue this process until all post caps are connected. (Brackets and posts will need to be drilled to accommodate cable)

### Post Cap



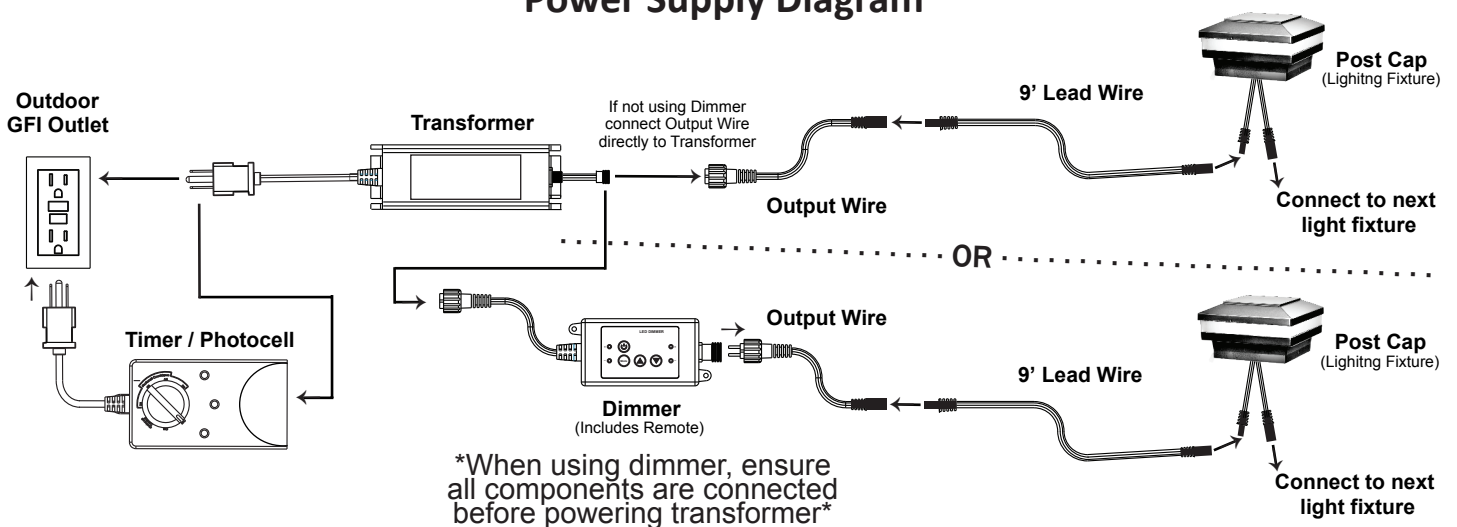
#### Step 1

Ensure that all cable has been properly installed and test the lights before mounting post cap to post.

#### Step 2

Fasten post cap to the post using 2 each screws included or use silicone adhesive.

## Power Supply Diagram

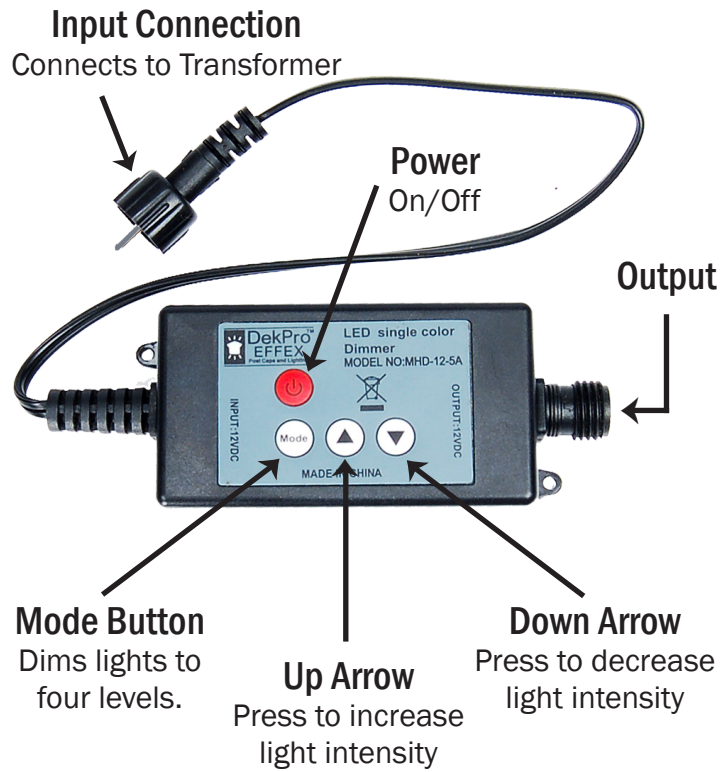


This guide represents the most common installation method for EFFEX lighting. More information can be found at our website [www.dekpromfg.com](http://www.dekpromfg.com) in regards to alternative wiring methods.

For full warranty coverage details visit [www.dekpromfg.com](http://www.dekpromfg.com)



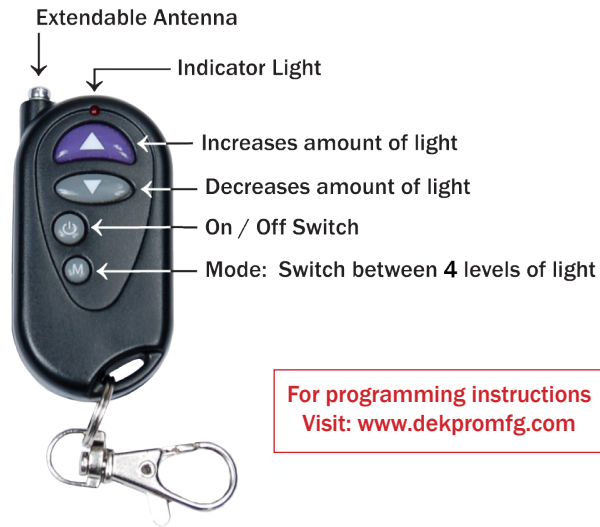
## DekPro™ EFFEX Remote Dimmer Guide



Caution: When using dimmer, ensure all components are connected before powering transformer



## DekPro™ EFFEX Remote Dimmer



For programming instructions  
Visit: [www.dekpromfg.com](http://www.dekpromfg.com)

### 1 year Warranty

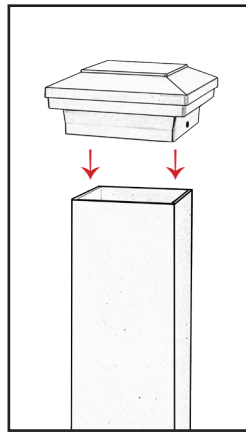
Dimmer and Remote have 1 Year Warranty when used exclusively with DekPro™ EFFEX Transformers. No warranty when used with any other brand of transformer.



DekPro Manufacturing Inc.  
P.O. Box 18566  
Minneapolis, MN 55418  
1-855-433-5776

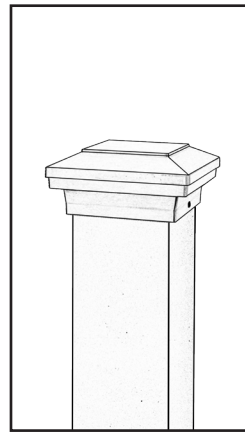


## DekPro™ EFFEX Post Cap Installation Guide



### Step 1

Test fit post cap to post to ensure that the cap is the proper size for the post.



### Step 2

Fasten post cap to the post using 2 each provided screws or silicone adhesive.



## DekPro™ EFFEX Post Cap Warranty

### 10 year Warranty

Against Cracking or Peeling of Powder Coat Finish

Should any product fail DekPro™ EFFEX reserves the right to request return of the product, transportation costs pre-paid, for the purpose of inspecting the product to determine validity of the claim. Upon validation of a claim by DekPro™ Manufacturing, replacement will be sent including transportation costs.

Code compliance and applicability for intended use is the responsibility of purchaser / installer.

EXCEPT AS OTHERWISE PROVIDED, DekPro™ Manufacturing MAKES NO OTHER WARRANTIES, EXPRESSED OR IMPLIED, INCLUDING BUT NOT LIMITED TO THE WARRANTIES OF MERCHANTABILITY AND FITNESS FOR A PARTICULAR PURPOSE.

THIS WARRANTY IS NOT TRANSFERABLE.

DekPro™ Manufacturing's liability is discharged upon repair or replacement of defective product. DekPro™ Manufacturing will not be responsible for cost of removal and reinstallation or accidental and consequential damages. Damages resulting from misuse, abuse, alteration, negligence or accidents are not covered under this warranty.

For full warranty coverage details visit [www.dekpromfg.com](http://www.dekpromfg.com)



DekPro Manufacturing Inc.  
P.O. Box 18566  
Minneapolis, MN 55418  
1-855-433-5776