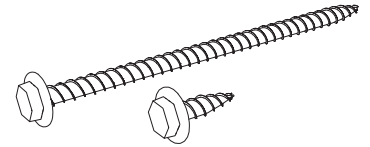
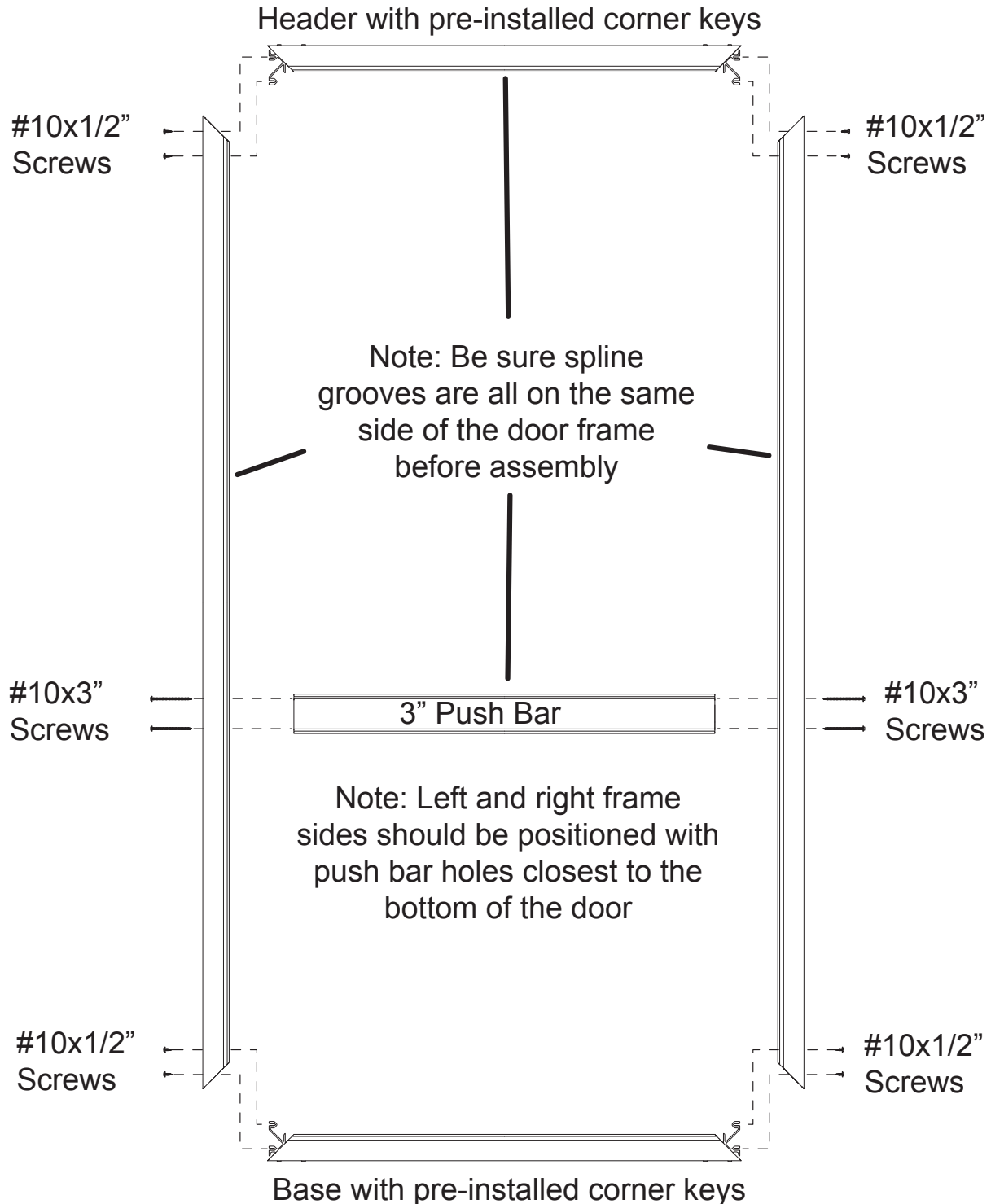




A-100 Series Screen Door Assembly



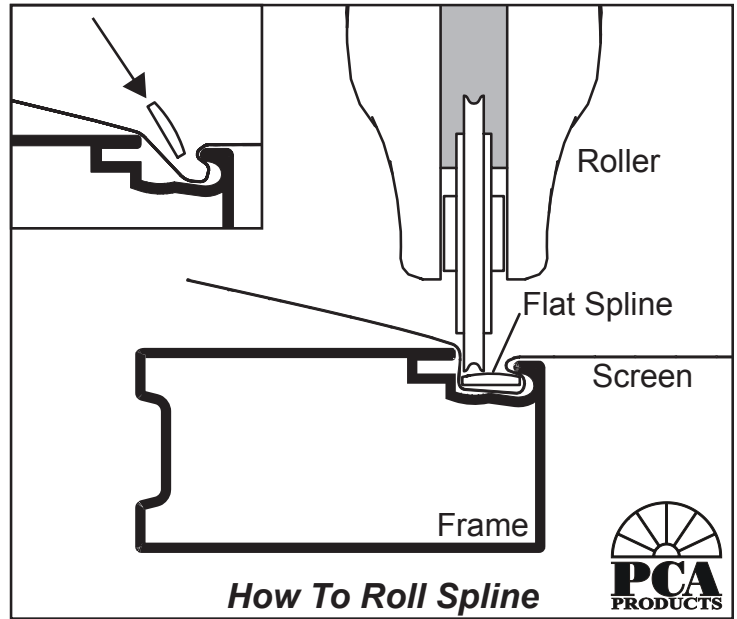
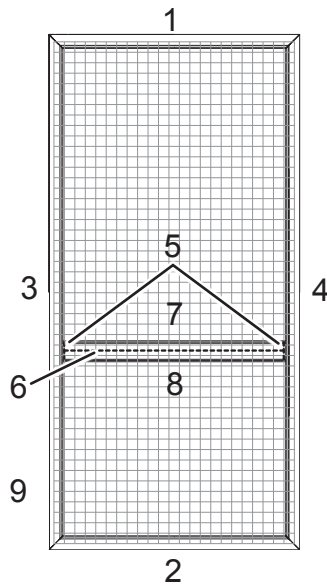
(4) #10x3" screws
(8) #10x1/2" screws





How To Screen A PCA Door

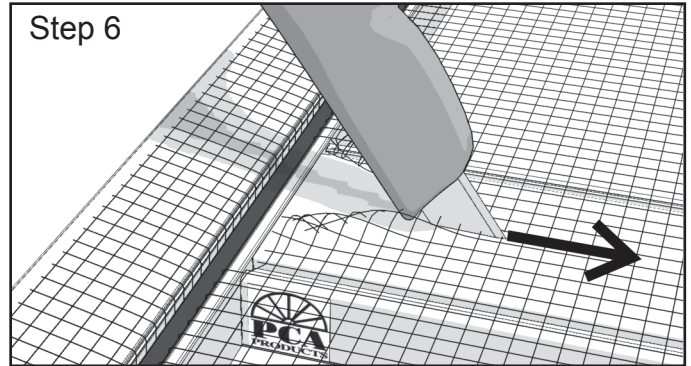
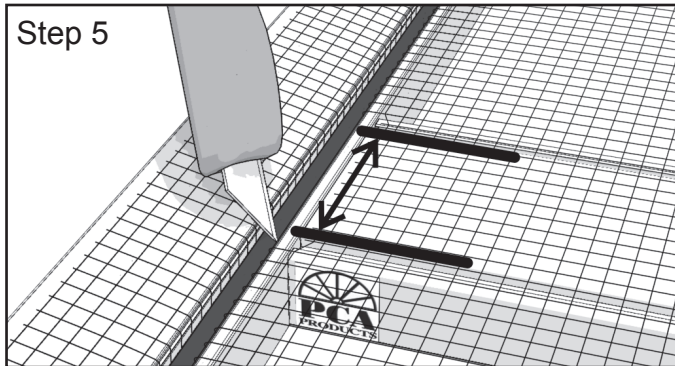
Roll & Trim Sequence



1. Roll Top Spline
2. Pull Screen Snug and Roll Bottom Spline
3. Roll Left Spline
4. Roll Right Spline

If your door does not have a push bar, skip to Step 9.

5. Cut Screen at Both Ends of Push Bar (see Step 5 illustration)



6. Split Screen At Push Bar (See Step 6 illustration)
7. Roll Top of Push Bar
8. Roll Bottom of Push Bar
9. Trim Tabs (See Step 9a and 9b illustrations)

