

SLIMLINE[®]

#909962

by **FAIRWAY**

Aluminum Railing Installation Guide

ALWAYS: Review all local building codes. Wear proper safety equipment.



NOTE: Gap between deck and bottom rail should not exceed 4" (residential), 2" (commercial). It is the responsibility of the installer to meet or exceed all code and safety requirements, and to obtain all required building permits. These instructions are only a guide and may not address every circumstance. The deck and railing installer should determine and implement appropriate installation techniques for each situation. Fairway Building Products shall not be held liable for improper or unsafe installations.

SLIMLINE™

by FAIRWAY

Level Railing Installation Guide

LEVEL KIT INCLUDES:

- 1 - Top Cap Rail
- 2 - Pre-Machined Rails
- Balusters** - 6' kit - 16, 8' kit - 22

- 4 - Mounting Brackets & Hardware Covers
- 1 - Foot Block
- 8 - #8 x 1-1/2" Stainless Steel Screws
- 8 - #8 x 3/4" Stainless Steel Screws

DECK INSTALLATION

(Hardware not included)

Step 1

Determine post mount location. Screw two (2) 2" x 12" blocks together and install them between joists in deck framing. 2" x 6" wood block wood grain should run perpendicular to joists in deck framing. Insert (4) #10 x 3" exterior grade screws evenly spaced in 4 sides of 2" x 6" blocking.

Step 2

Install deck covering.

Step 3

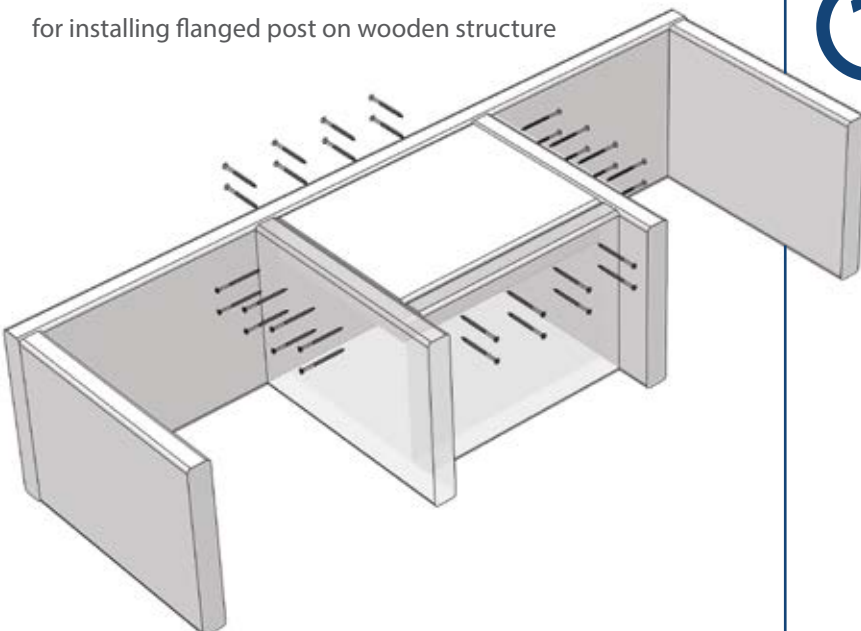
Lay out where post will be mounted. Mark holes at 4 corners of post flange on deck surface. Drill (4) 7/16" holes through deck surface and 2" x 6" blocking.

Step 4

Insert four (4) 3/8" x 6" bolts into the pre-drilled 7/16" holes. Install washers and 3/8" nuts. Insert shims under post base around mounting bolts for leveling. Trim shims flush with post base. Securely tighten all four bolts.

SUGGESTED BLOCKING

for installing flanged post on wooden structure



CONCRETE INSTALLATION

(Hardware not included)

Step 1

Lay out where post will be mounted and mark holes at (4) corners of base plate. Drill (4) holes per concrete wedge anchor manufacturer's suggested pre-drill size.

Step 2

Insert 3/8" concrete wedge anchors into (4) pre-drilled holes. Install post.

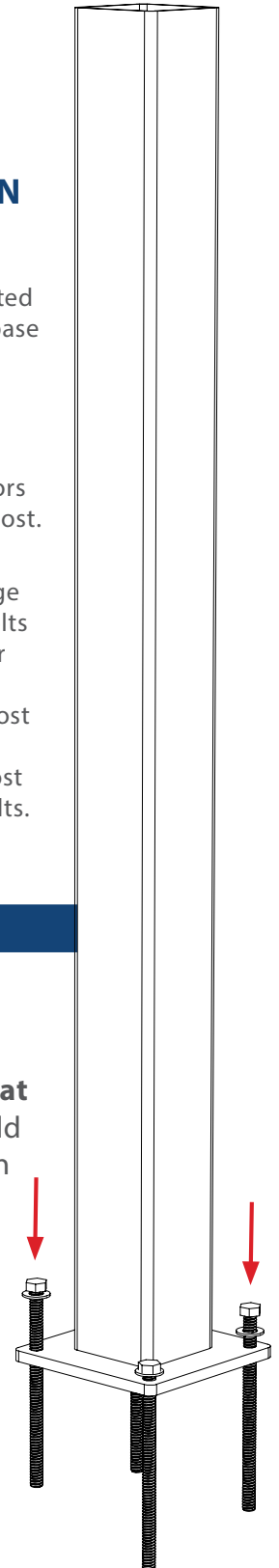
Step 3

Install and tighten concrete wedge anchor hardware washers and bolts following concrete wedge anchor manufacturer's recommended installation. Insert shims under post base around mounting bolts for leveling. Trim shims flush with post base. Securely tighten all four bolts.

1 SECURE POST

Plumb all posts or mounting surfaces.

Do not install post trim at this time. Post trim should be installed at completion of railing installation.





TIP: Lower drill/driver torque settings.
Full torque settings may snap stainless steel screws.

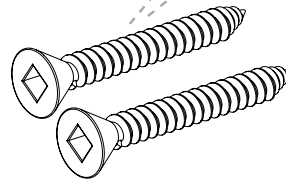
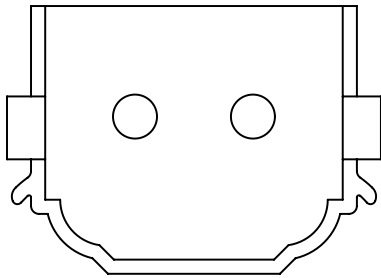
2 SECURE TOP BRACKETS

Insert brackets into template provided in kit per the desired rail height.

Middle bracket location is for 36" high, top bracket location is for 42" high.

Use a rubber band or hand clamp to hold installation template tight to post.

Top Bracket



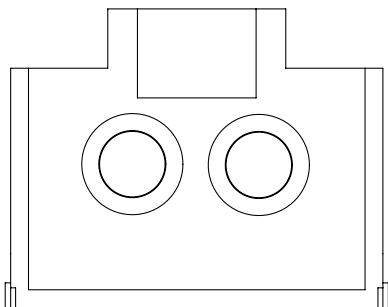
#8 x 1-1/2" Screws

3 SECURE BOTTOM BRACKETS

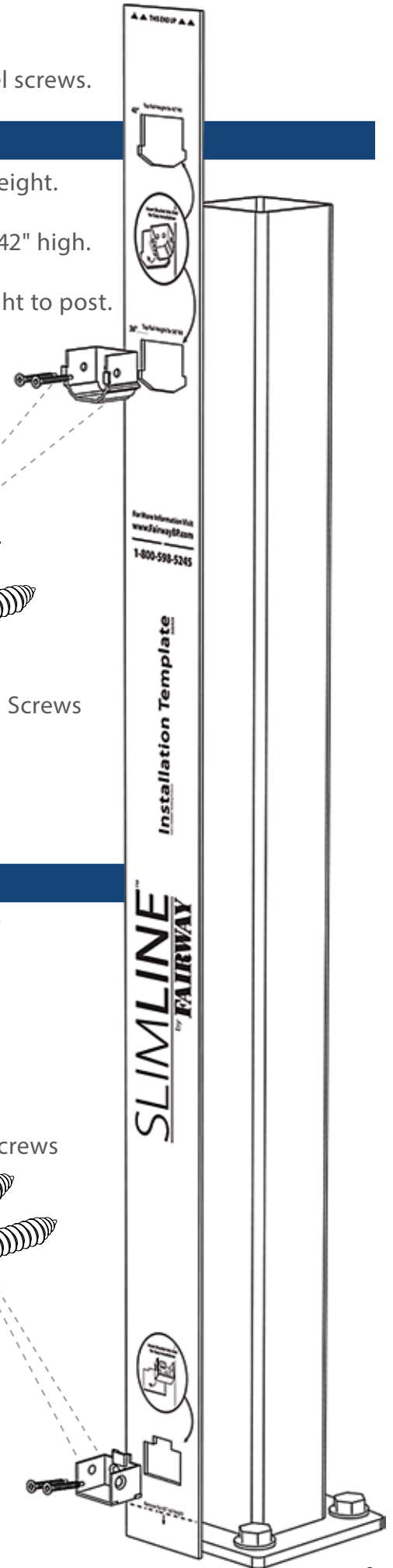
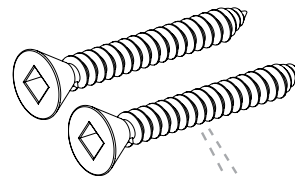
Install two (2) #8 x 1-1/2" flat head self-tapping screws per bracket in to post bracket holes.

Remove installation template and repeat on the opposite post.

Bottom Bracket



#8 x 1-1/2" Screws



4

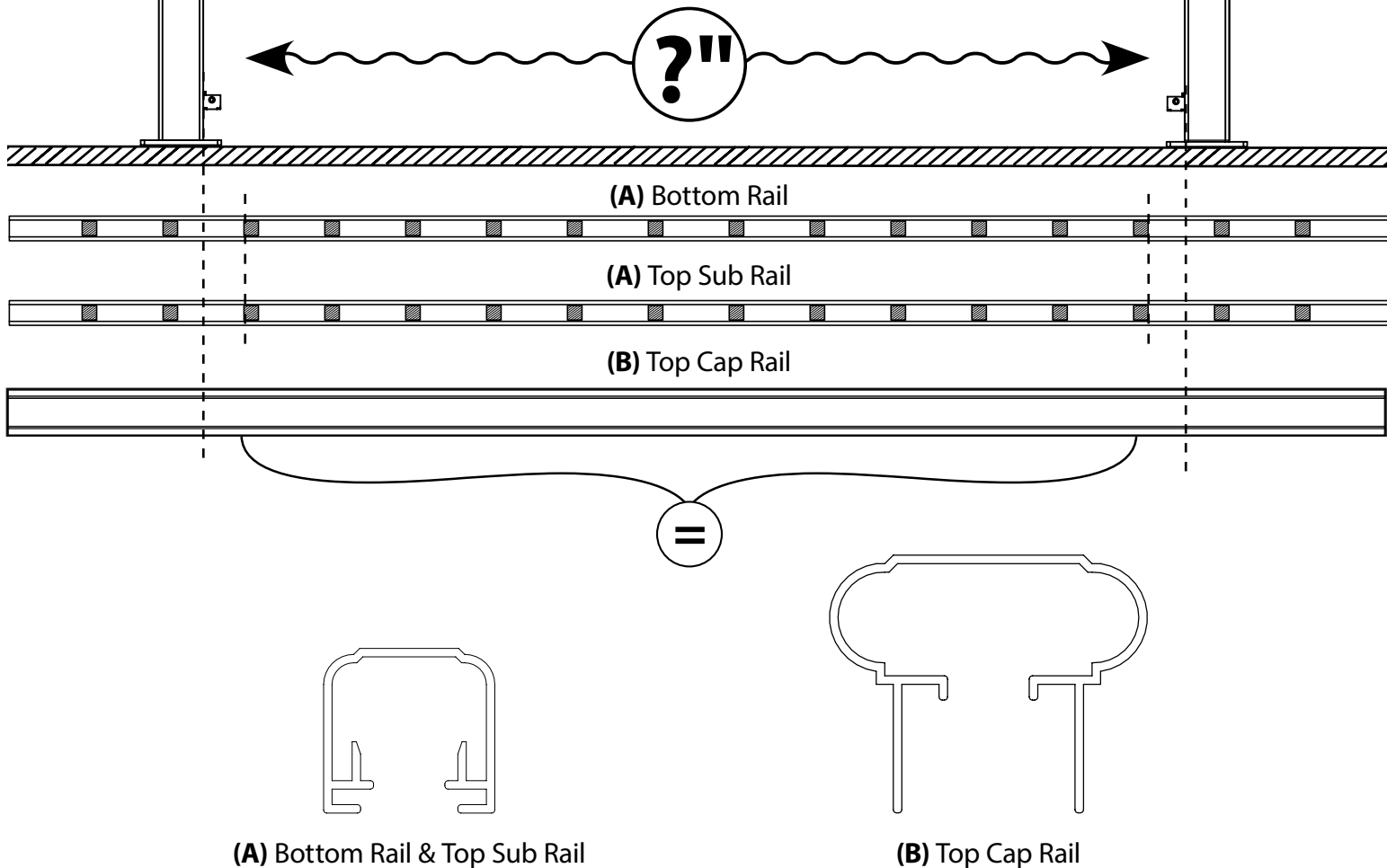
MEASURE & CUT RAIL

Measure distance between finished posts or mounting surfaces.

Deduct 3/16" from total length to allow for mounting brackets.

Mark bottom rail to correct length. Ensure there is equal & maximum distance from baluster holes on both ends.

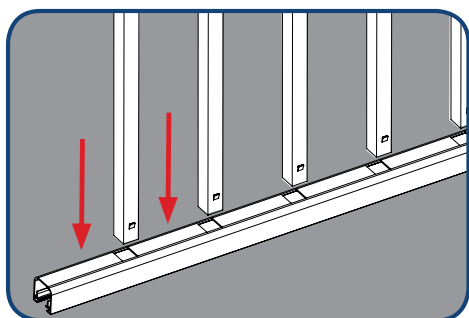
Cut bottom rail (A), top sub rail (A), and top cap rail (B) the same length. BE SURE BALUSTER HOLES LINE UP.



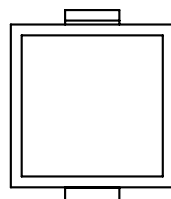
5

INSTALL BALUSTERS

Place bottom rail on cardboard from rail packaging. Using a rubber mallet, tap balusters into routed holes making sure balusters are fully seated into the rail.



3/4" Baluster



32" Baluster = 36" Rail Height

38" Baluster = 42" Rail Height

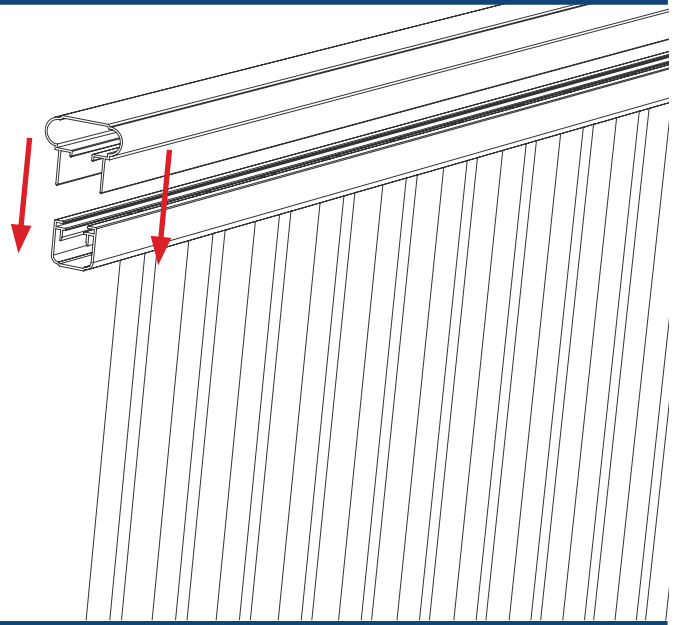
6 SECURE CAP RAIL

Holding the sub rail at an angle above the balusters, start at one end to insert first baluster and tap lightly.

Insert remaining seated balusters into rail.

Make sure all balusters are seated completely in both bottom and sub rails.

Slide top cap rail over sub rail.

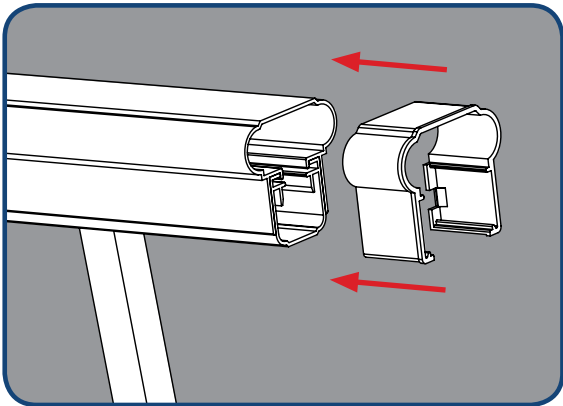


7 ASSEMBLE

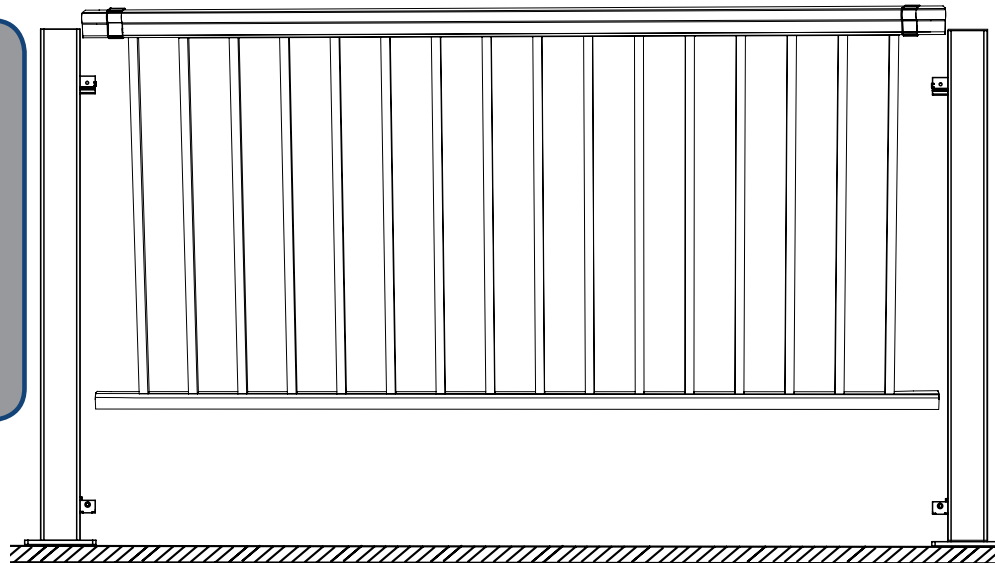
(A) Slide top rail bracket covers onto assembled top rail on both sides.

(B) Carefully set assembled rail panel into brackets.

(A)

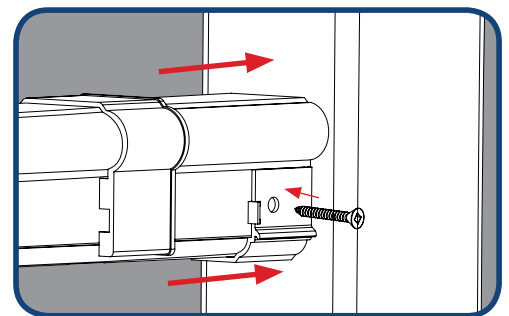
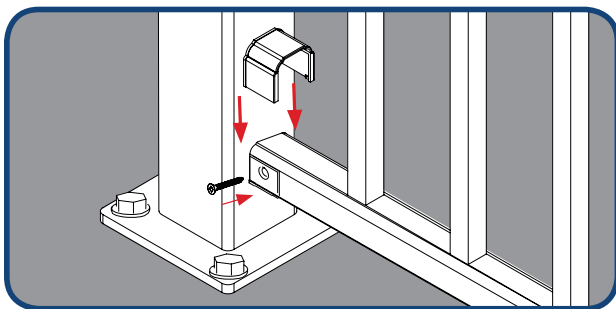


(B)



8 SECURE BRACKETS

Secure rails by installing two (2) #8 x 3/4" Pan Head self-tapping screws through holes in both sides of each bracket. Snap Covers on all brackets.



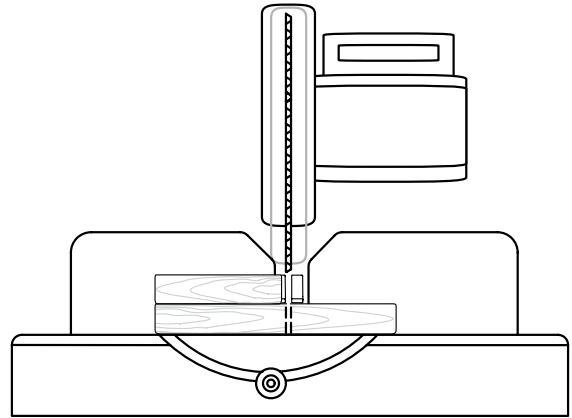
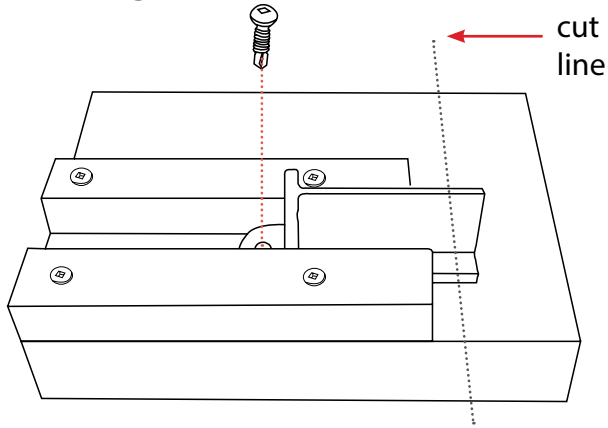
9

INSTALL FOOT BLOCK

Measure from the deck surface to the underside of the bottom rail.

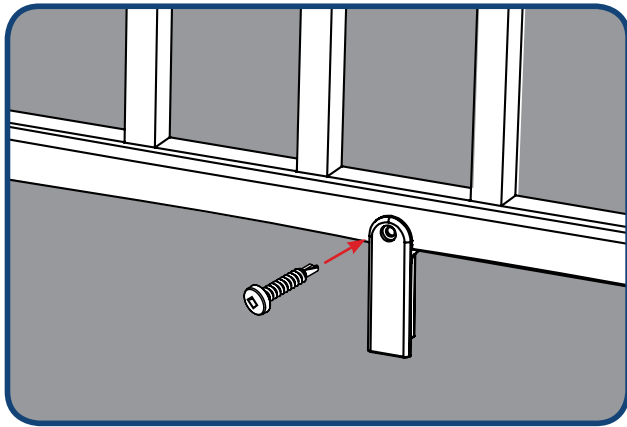
Cut foot block to the measured length.

(A) Cutting Foot Block



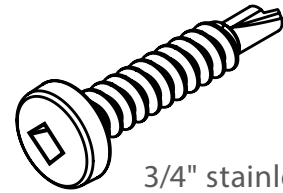
NOTE: When cutting the foot block secure two spare wood blocks with screws on each side to hold foot block in place while being cut down to proper size.

(B) Secure Foot Block



Measure to the center of the bottom rail.

Slide the cut foot block under the bottom rail and attach with included screw.



3/4" stainless steel screw

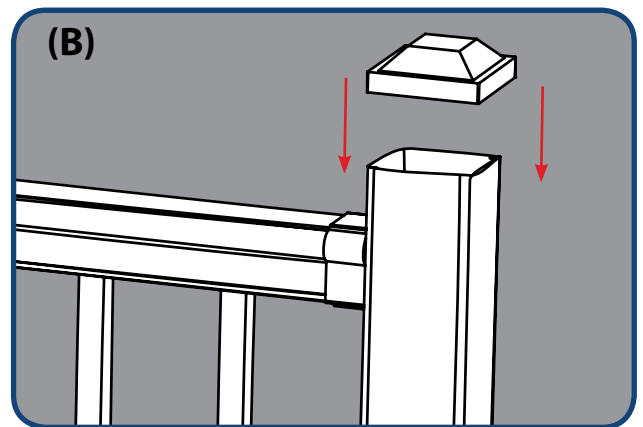
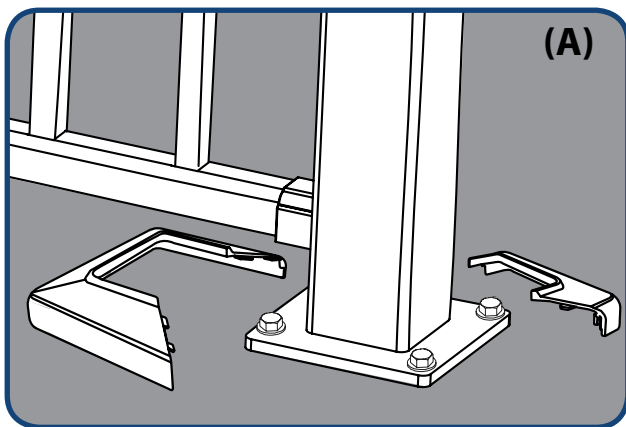
10

INSTALL POST CAP & TRIM

(A) Install two-piece, snap-together trim to cover post flange.

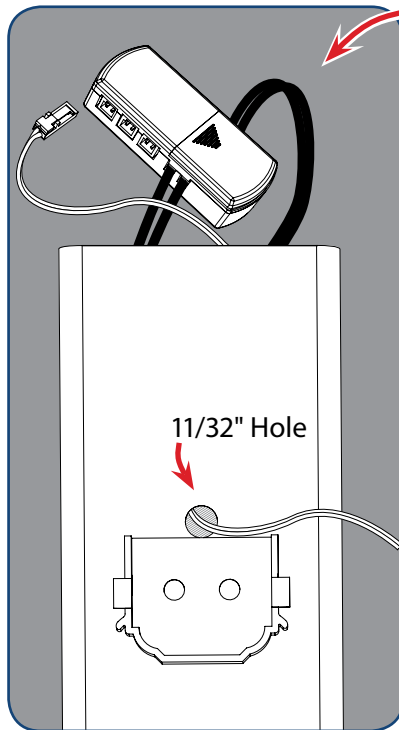
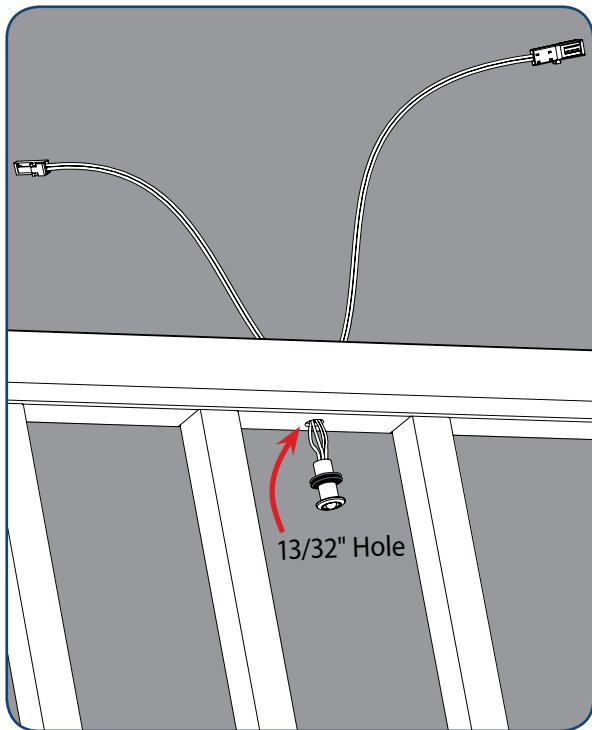
NOTE: Post trim is secure when locked. Put together when job is complete so no adjusting is needed.

(B) Tap post cap in place with rubber mallet.



LED!

Adding FAIRWAY's In-Rail LED Lighting



18/2
Lv Wire



901400 • LED Light Flush Pin

AVAILABLE LED COMPONENTS:

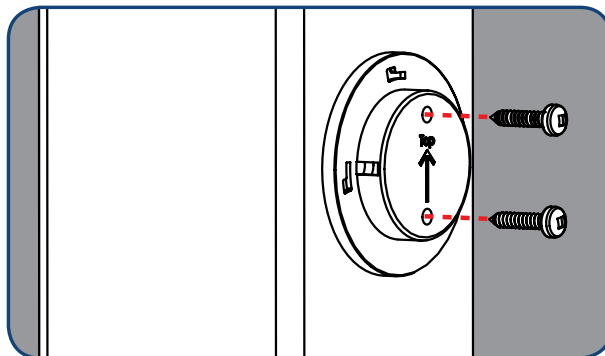
901401 • 12V LED Light Strip



901407 • LED Light Connector Box
15 Watts Max. per Connector Box

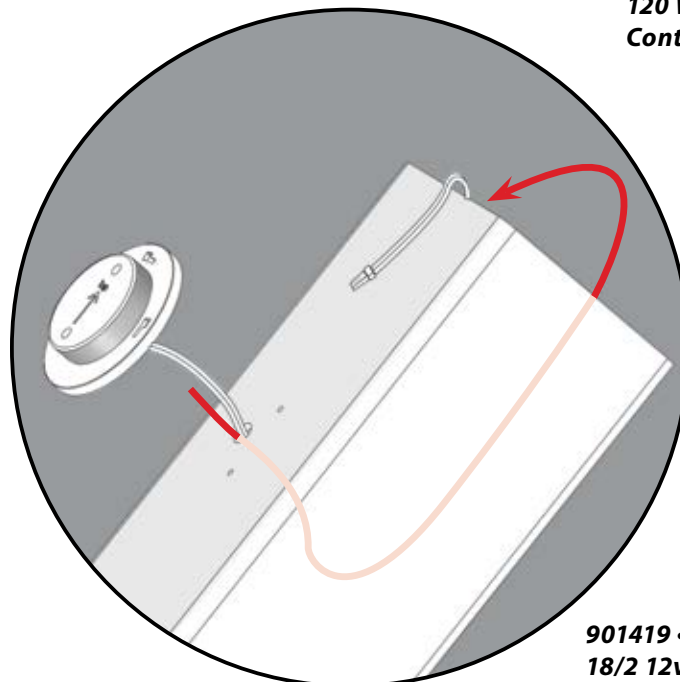
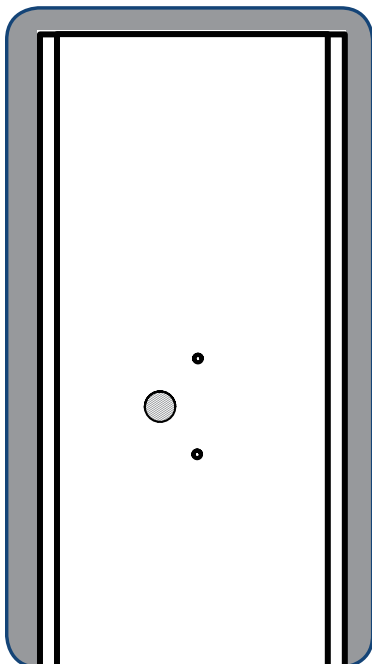


12v LED Post Sconce



901417 • In Deck
12v LED Light

901411-1 • 12V LED Light
120 WATT Digital Timer/Photo
Control Transformer



901413 • 100' Spool
18/2 12v LED Out-
door Wire



901419 • 250' Spool
18/2 12v LED Outdoor Wire

STAIR RAILING INSTALLATION GUIDE

STAIR KIT INCLUDES:

- 1 - Top Cap Rail
- 2 - Pre-Machined Rails
- Balusters** - 8' kit - 21

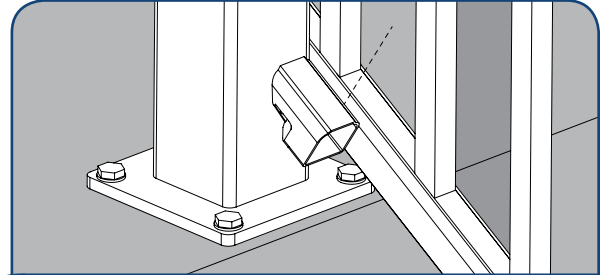
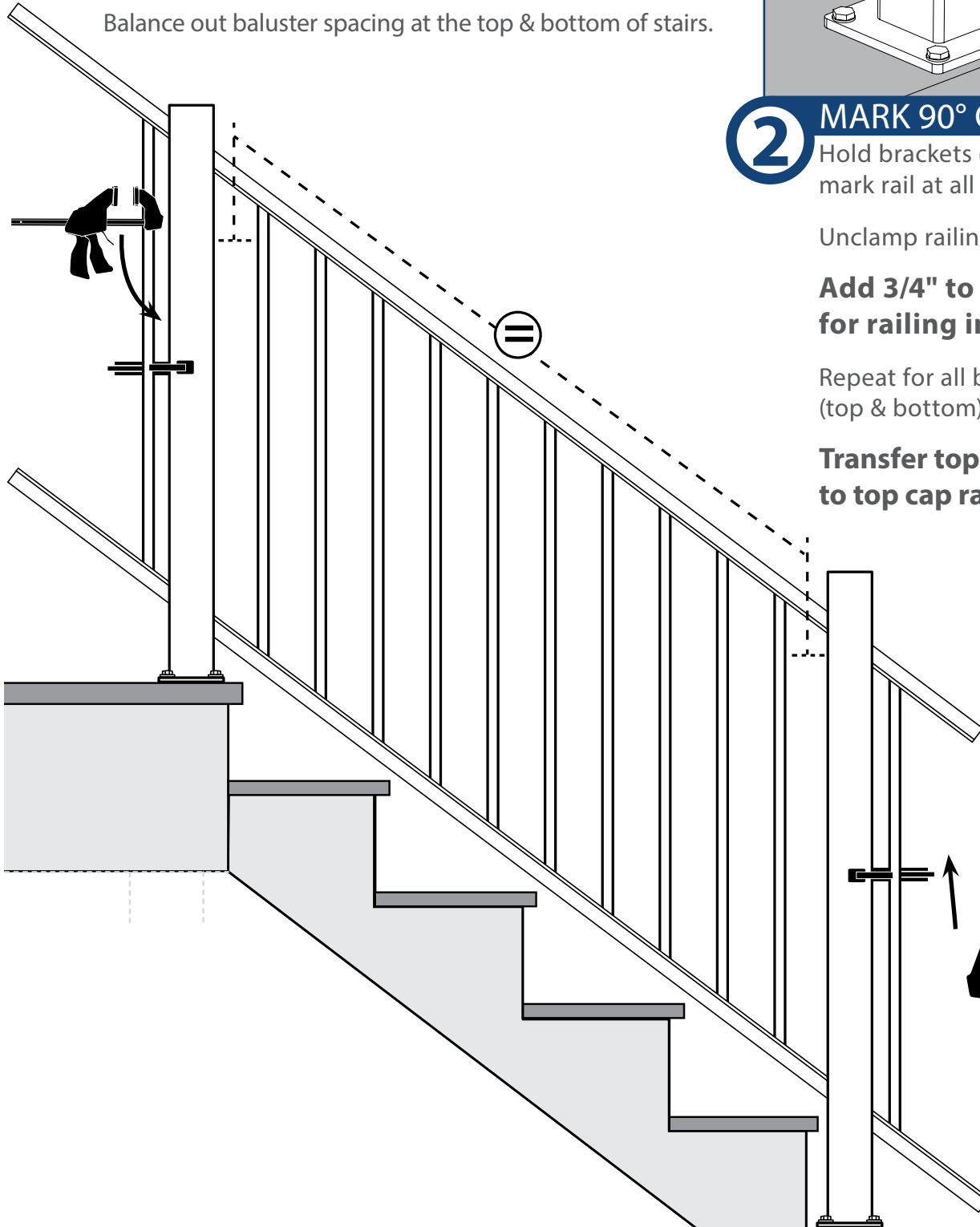
- 4 - Mounting Brackets for Stairs (Top & Bottom)
- 8 - #8 x 1-1/2" Stainless Steel Screws
- 2 - #8 x 3/4" Stainless Steel Screws

1 ASSEMBLE RAIL SECTION

Lay rail section next to posts on stair run.

Clamp rail section to posts.

Balance out baluster spacing at the top & bottom of stairs.



2 MARK 90° CUT LOCATIONS

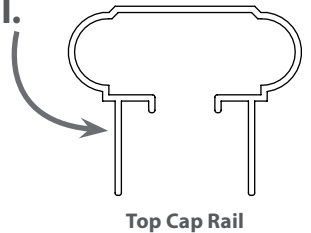
Hold brackets on post next to rail & mark rail at all bracket locations.

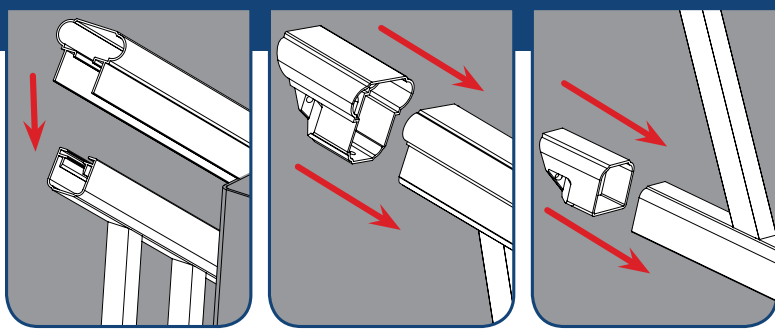
Unclamp railing section from post.

Add 3/4" to bracket mark for railing into the bracket.

Repeat for all bracket marks (top & bottom).

Transfer top rail measurement to top cap rail.



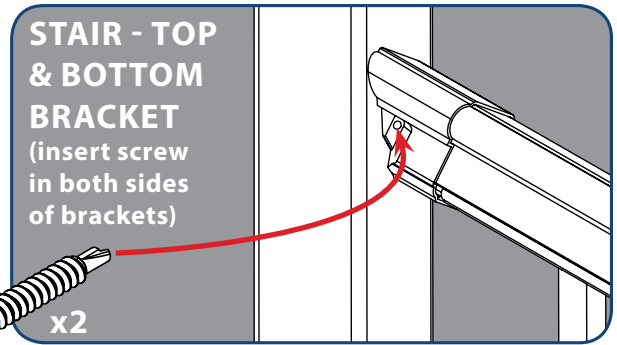


3 CUT RAIL SECTION TO LENGTH

Slide top cap rail onto top sub rail.
 Cut rail assembly at all 3/4" marks at a 90° angle.
 Slide brackets on rail (top & bottom).

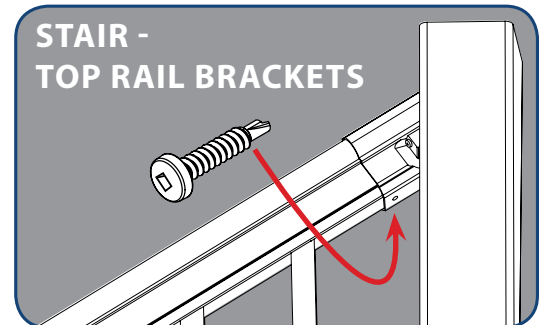
4 INSTALL STAIR RAIL SECTION, SECURE BRACKETS TO POST

Place rail section between posts.
 Pre-drill bottom bracket holes using a 1/8" drill bit.
 Install provided 1-1/2" stainless steel screws.
 Repeat for opposite bottom rail bracket.
 Repeat for both top rail brackets.



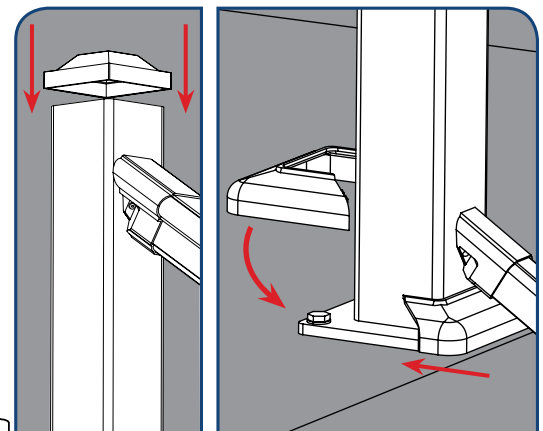
5 SECURE BRACKETS TO RAIL

Pre-drill using a 1/8" drill bit.
 Install provided 3/4" stainless steel screw into top brackets.



6 INSTALL CAP & TRIM

Tap post cap in place.
 Install two-piece, snap-together trim.



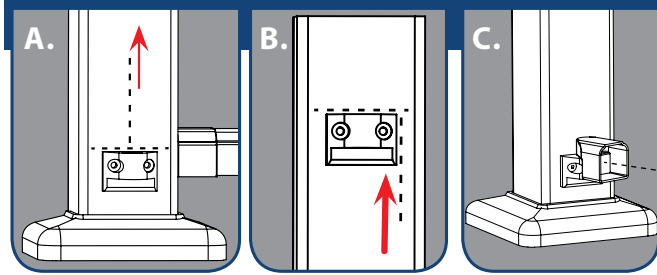
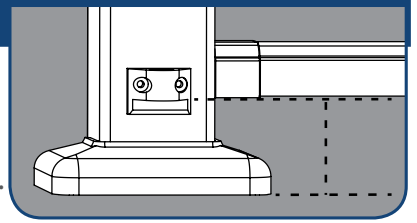
ANGLE RAILING INSTALLATION GUIDE

1 INSTALL BOTTOM BRACKET BASE

Measure to bottom of bottom rail bracket on a straight rail section.

Deduct 3/8". Mark post on center.

Install bottom rail bracket base using (2) #8 x 1-1/2" stainless steel hardware.



2 INSTALL BRACKET BASES, MEASURE RAIL SECTION

A. Measure up (32-1/4" for 36" rail height, 38-1/4" for 42" rail height) from top of bottom bracket. **B.** Mark post. Install top rail bracket base using (2) #8 x 1-1/2" stainless steel hardware.

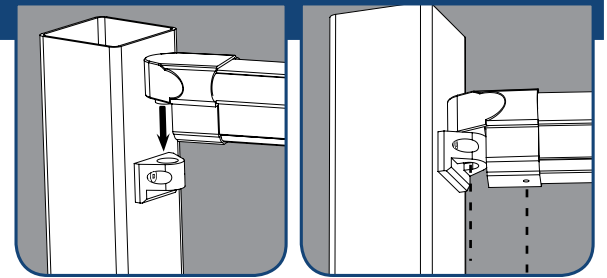
C. Install bottom rail bracket cups. Measure between inside of bottom rail bracket cups.

3 CUT RAIL SECTION TO LENGTH, INSTALL BRACKETS

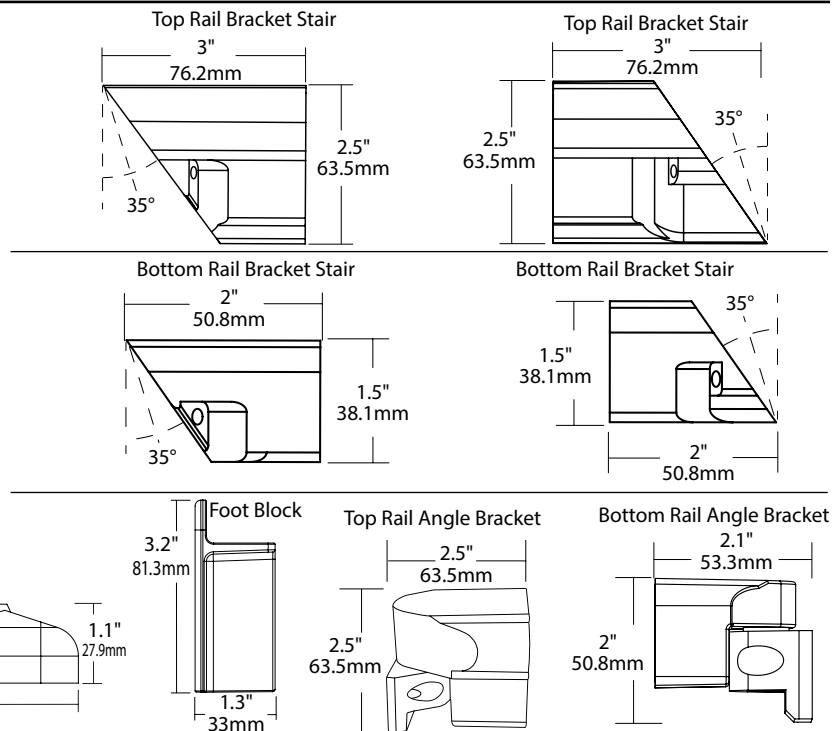
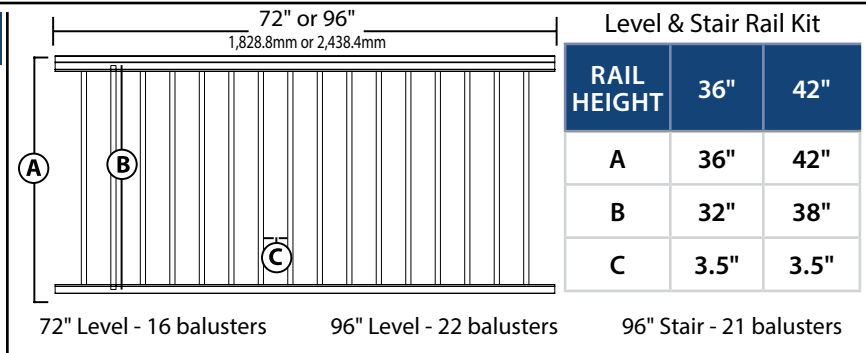
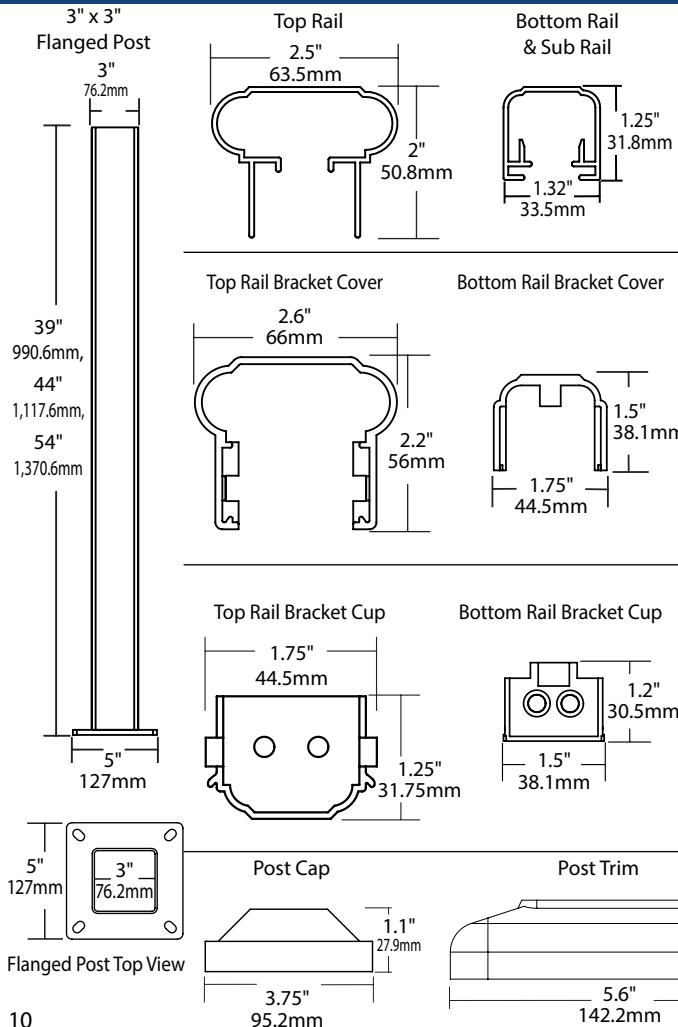
See level installation guide for rail section assembly.

Cut rail section assembly to length based upon previous measurement. Slide brackets on rail (top & bottom).

Install set screw and (1) #8 x 3/4" stainless steel screw into top rail bracket. Install post cap and trim.



TECHNICAL SPECS



15 YEAR LIMITED WARRANTY

TERMS, CONDITIONS AND LIMITATIONS



- 1.** The manufacturer's (Fairway Building Products) sole liability and the owner's only remedy shall be as follows:
 - a.** If a problem occurs, Fairway Building Products, at its sole discretion, may elect either to repair or replace the defective part(s) of the railing or provide reimbursement limited to cost of materials at time of purchase. Due to normal aging and weathering of material, it may not be possible to perfectly match the colors of the old and new materials and therefore Fairway Building Products is not responsible for any color differences that may occur. Fairway Building Products is not responsible for discontinuance of a color.
- 2.** Fairway Building Products warrants only those products manufactured and sold under the Slimline name. This Limited Warranty extends only to the original purchaser according to terms specified herein. Fairway Building Products shall not be liable for and this warranty does not apply to any terms, failure, defect or damage resulting from or connected with the following:
 - a.** Defects not caused by Fairway Building Products (for example, but not limited to: accidents, misuse, improper applications or installations contrary to industry or Slimline standards).
 - b.** Product that has been painted or had its surface treated or cleaned with an abrasive chemical or material.
 - c.** Product subject to impact of foreign objects, tornado, hurricane, other violent storms, fire, air pollutants, normal weathering of surfaces, abnormal discoloration due to improper maintenance, or any other acts of God.
 - d.** Improper installation of Slimline or defects caused by their installation.
 - e.** Slimline Limited Warranty will not be applicable for products that are covered by a specific and separate warranty or duration.
 - f.** Products sold, shipped or installed outside of the Continental United States shall have a limited duration of this coverage to 10 years from date of purchase.
- 3.** This warranty does not include corrosion of screws and other fastening devices that may be used or required for specific application circumstances in the assembly or installation of the railing.
- 4.** Should there be a defect in the system which limits the use of the railings Fairway Building Products will not be responsible for or liable for loss of use of the railing or any consequential costs. Fairway Building Products' only liability is for the repair or replacement of the defective part of the railing.
- 5.** Fairway Building Products will not be responsible for labor and material cost including removal, disposal and re-installation of the warranted material.
- 6.** Fairway Building Products will not be required to honor this warranty
 - a.** If the railing has been modified, altered or changed in any manner at time of installation or thereafter that is contrary to the Fairway Building Products' installation instructions.
 - b.** The product was not installed to the most current, published standards which are available from Fairway Building Products.
 - c.** A representative has not been given a reasonable access to the property & opportunity to investigate any claim made.
 - d.** If all bills for installation supplies and services have not been paid in full. Proof of purchase and payment in full must be presented to obtain warranty coverage.
 - e.** If the Slimline Care and Cleaning Guide has not been adhered to.
 - f.** If the railing warranty has not been registered with Fairway Building Products.
- 7.** Any claim made under this warranty must be made within 30 days of the discovery of the problem. The claim must be made in writing to Fairway Building Products or to the company responsible for the installation and must include a copy of the purchase contract.
- 8.** To the extent allowed by the laws of each State or Province, the remedies provided under this warranty state the limits of Fairway Building Products' responsibility. No representative has authority to make any representations other than those stated herein. Any and all disputes arising under the warranty whether as to interpretation, performance or otherwise, shall be subject to the exclusive jurisdiction of the courts of each State or Province.
- 9.** This warranty is for the exclusive benefit of the original purchaser and is not assignable or transferable.
- 10.** It is the responsibility of the Owner to maintain the railing in accordance with the current Care and Cleaning Guide on the reverse and as posted on the website at www.FairwayBP.com.
- 11.** This warranty is offered by Fairway Building Products. Fairway Building Products is responsible for remedy of its affected materials relating to the problem. The undersigned Installation company is responsible for the workmanship and will facilitate any necessary and related claims and repairs.
- 12.** The Installation Company guarantees that the work has been performed in accordance with the most current standards and specifications set out by Fairway Building Products and is responsible for any workmanship related problems for a period of _____ years/months.

EASY!

WARRANTY REGISTRATION

Register Online at www.FairwayBP.com/warranty

***Required**

Product Warranty Registered to*: _____

Address*: _____

City*: _____ State*: _____ Zip*: _____

Telephone*: _____ Email*: _____

Products Purchased* _____

Place of Purchase*: _____ **Date of Purchase*:** _____

Place of Purchase Address*: _____

City*: _____ State*: _____ Zip*: _____

Telephone*: _____ Email: _____

Installer*: _____

The installation company may offer additional written warranty stating the scope of their responsibility.

Installation Company*: _____ **Date of Installation*:** _____

Installation Company Address*: _____

City*: _____ State*: _____ Zip*: _____

Telephone*: _____ Email*: _____

Signature – Installation Company Rep. / Date*: _____ / _____

Mail this sheet to (or register online): Fairway Building Products • P.O. Box 37, Mount Joy, PA 17552

Phone: 1-800-598-5245 || Fax: 717-653-0067