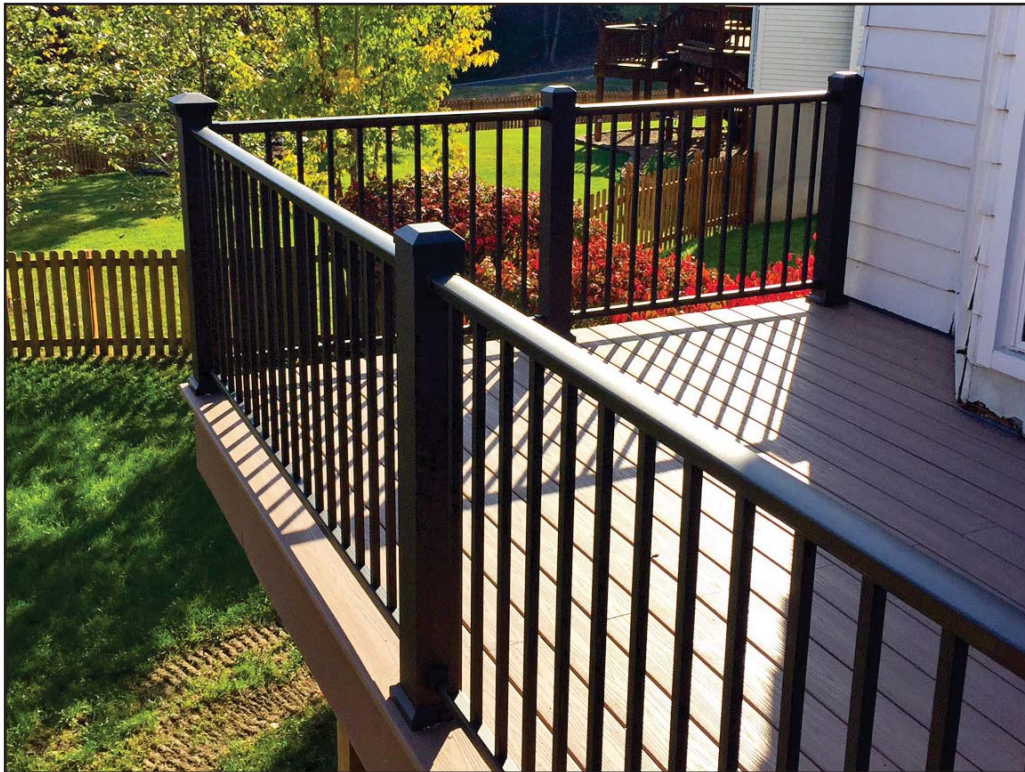


Installer Manual For:



Call 1-800-335-5909 for Installation Support

M - F 7:30 a.m. - 6:00 p.m. CST

Read all instructions before beginning installation

DekPro™ Prestige Aluminum Rail System Level Railing Installation Instructions

Level Railing Installation Guide

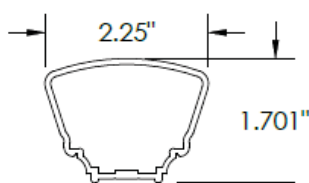
- Please read all instructions completely before starting any installation of DekPro™ Prestige Railing Systems.
- **SAFETY:** Always be safe and follow all instructions when using power tools and always wear safety goggles!
- It is the responsibility of the installer to meet all code and safety requirements and to obtain all required building permits. The deck and railing installer should determine and implement appropriate techniques for each installation situation. DekPro™ or its distributors shall not be held liable for improper or unsafe installations.
- Proper blocking must be in place before mounting posts.
- Rail Sections come in nominal 6ft & 8ft lengths. (Actual rail lengths are 70" and 96.75" respectively).
- Residential default finished rail height when using DekPro™ bracket installation jig is 38" and Commercial is 42".
- Posts are available in RESIDENTIAL (3.0" post w/ flange and 4" Sleeve) and COMMERCIAL (3" post w/ flange 6 Boss channels).
- DekPro™ Prestige Railings should be installed using good building practices in accordance with local building codes and the installation guidelines. Consult your local building code official and check all code requirements before installing railings.
- DekPro™ Prestige Railing has been tested by ATI and meets the most current testing standards for IRC and IBC construction codes AC273. Test report CCRR # 0233.
- For questions contact Absolute Distribution Inc., U.S. national distributor for DekPro™ Prestige Railing Systems at 800-335-5909 or www.AbsoluteDist.com



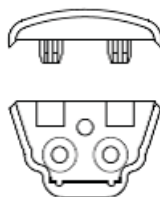
Recommended Tools for Installation

- Level
- Rubber Mallet
- Speed Square
- Cordless Drill / Impact driver
- Quick clamp grips
- Pencil
- Measuring Tape
- Miter saw with high tooth count carbide blade
- 13/64" drill bit
- #3 Phillips screwdriver bit
- Ratchet set

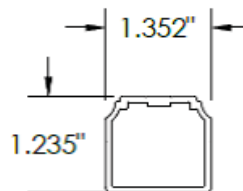
Rail Profiles & Hardware



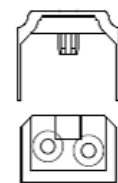
Top Rail



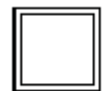
Top Rail Bracket



Bottom Rail



Bottom Rail Bracket



3/4" Square Baluster



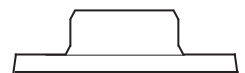
#14 x1 Type F



Foot Block Rail Connector Screw



Foot Block Shoe Screw



Foot Block

All fasteners for attaching brackets to posts and rails are packaged with rail kits. Fasteners for posts are NOT provided due to varying installation circumstances. #14 Type F, self-threading screws included. 2 screws for each bracket attachment and 1 screw for securing rail profile to the bracket. Foot block assembly has 1 screw for the connector and two for the shoe. All screws are color matched to the rail. Use a #3 Phillips screwdriver bit for a sure fit.

DekPro™ Prestige Aluminum Rail System

Level Railing Installation Instructions

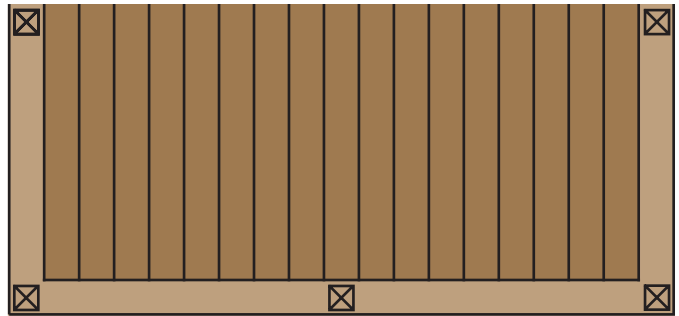
Post Placement & Installation

Step 1: Layout

Lay out post placement.
If stairs are involved, it may be beneficial to start with post placement at top of stair run.

Actual Railing Lengths:

- 70" for 6' rail
- 96-3/4" for 8' rail



Step 2: Mount Post

- Set post in place and mark four mounting holes.
- Pre-drill holes for mounting hardware, then fasten post with mounting hardware (not included). See below for mounting options.
- Check that post is plumb and shim if necessary (shims included).
**Note: Quick jig can be used to plumb posts using the attached 2 way level.*
- For 4" sleeve - Slide sleeve over existing wood 4x4



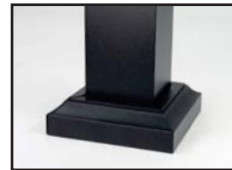
Step 3: Finished Post

- Install the included post cap - friction fit. (Can be secured with silicone adhesive)
- Install post skirt for finished look. 2 piece post skirt snaps together. (Can be installed at the end for 3" post. **4" Skirt must be installed over post prior to attaching brackets**)

Installed Cap

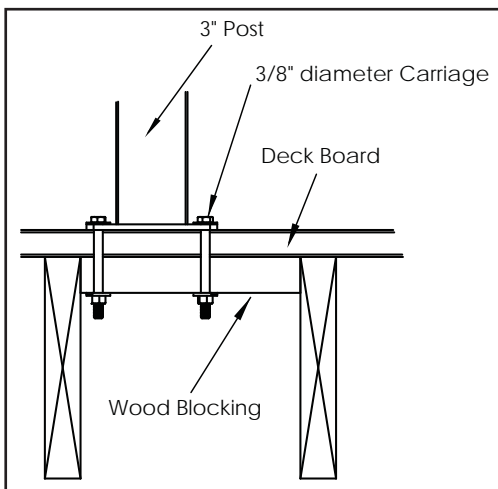


Installed Skirt

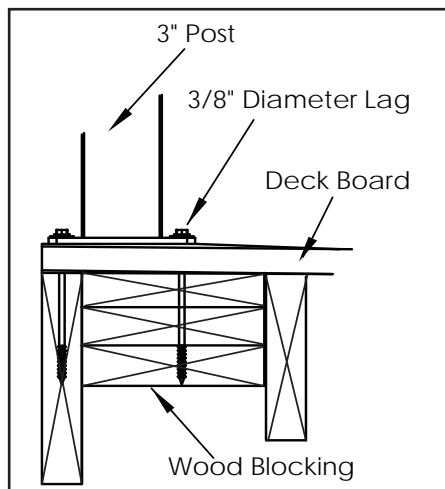


Post Mounting Options

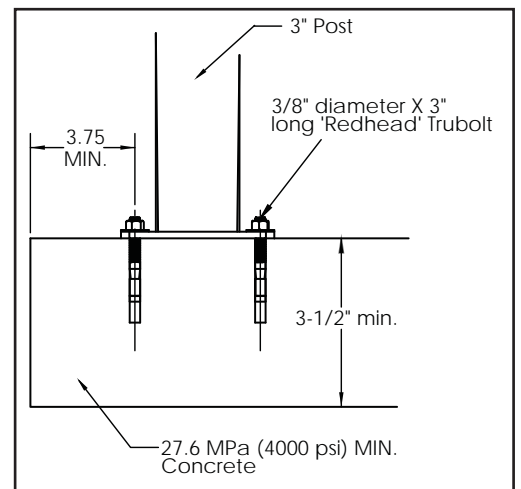
Surface Mount using Carriage Bolt



Surface Mount using Lag Bolt



Surface Mount using Concrete Anchor



DekPro™ Prestige Aluminum Rail System Level Railing Installation Instructions

Level Rail Kit Assembly

Kit Includes:

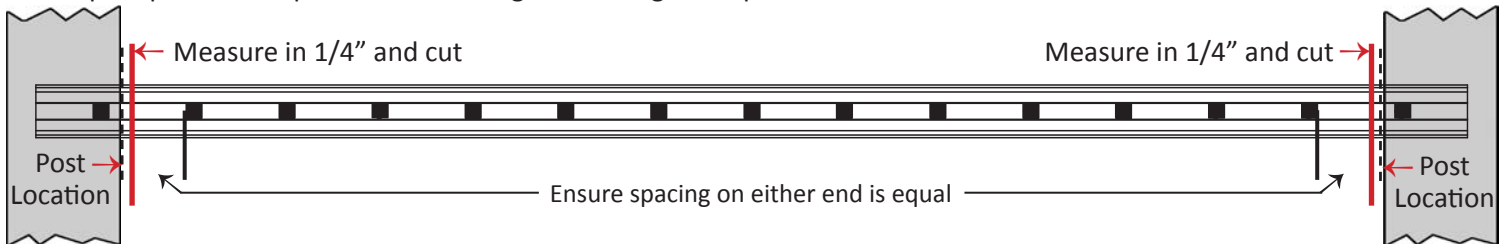
- 1 - Top Rail (baluster connectors installed)
- 1 - Bottom Rail (baluster connectors installed)
- 2 - Bottom Rail Brackets
- 2 - Top Rail Brackets
- 1 - Rail Support w/ Foot Block
- Aluminum Balusters
 - 15 Balusters with 6' kit
 - 21 Balusters with 8' kit

(All hardware is included to complete rail kit assembly)



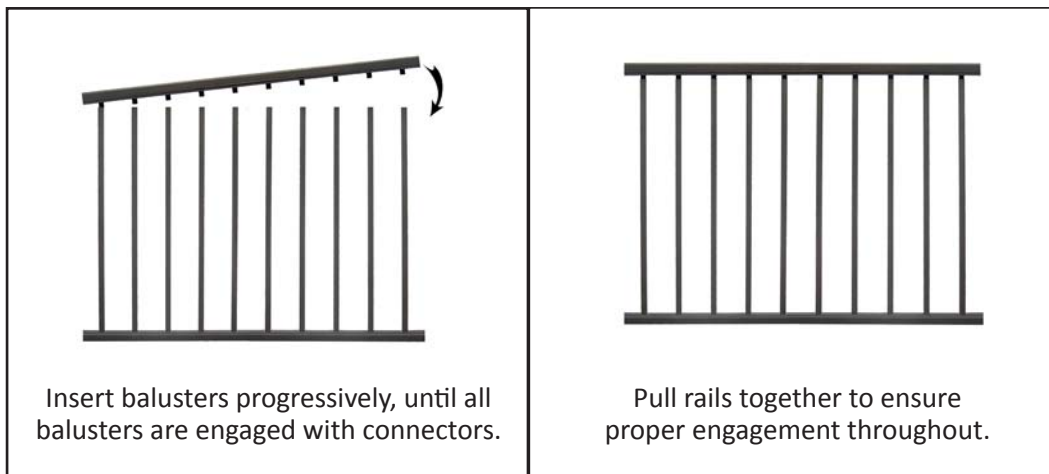
Step 1: Cut Rails to Size

- Measure distance from post to post and deduct 1/4" from each end of rail. (1/4" accounts for rail connector wall thickness)
- Measure bottom rail ensuring equal and maximum spacing from end of rail to the first baluster on both ends of the bottom rail.
- Cut bottom rail with a high tooth count carbide blade.
- Repeat previous steps when measuring and cutting the top rail.



Step 2: Assemble Rail Kit

A.) Insert balusters onto the baluster connectors of the bottom rail. **B.)** Insert first two balusters from one end of top rail and progressively work your way to the other end to attach top rail to balusters (rail packaging comes with a cardboard rail comb to help align and speed up rail kit assembly). After all connectors are engaged with the balusters a ratchet strap can be used to pull rails together tightly or use a rubber mallet with a wood board (minimum 12" length) to distribute load evenly and to fully seat balusters into rails.



* DekPro™ boxes come with a cardboard rail comb to help align and speed up rail kit assemblies

DekPro™ Prestige Aluminum Rail System Level Railing Installation Instructions

Mounting Rail to Post

Step 1: Attach Brackets to Post

- Clamp Prestige™ Quick Jig to post.
- Predrill top rail holes then mount bracket.
- Predrill bottom rail holes then mount bracket
- Remove rail template.

**Note: Quick Jig is also used to plumb posts using the attached 2 way level.*

**Note: Default finished rail height will be 38" for residential and 42" for commercial when using Prestige™ Quick Jig.*



1. Clamp Quick Jig



2. Predrill Holes

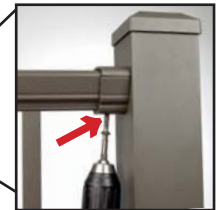
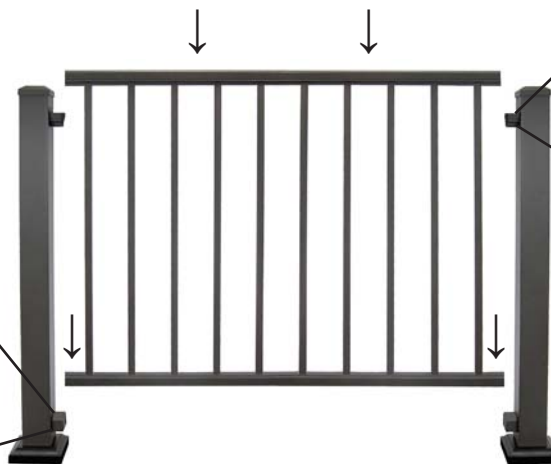


3. Attach Bracket

Step 2: Set Assembled Rail into Brackets

Drop railing into brackets and secure with screws. Set top bracket screw first to pull rail down tightly into bottom brackets. Then screw bottom bracket to secure rails in place.

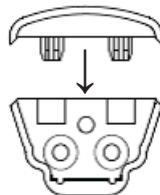
**Note: Set screw gun on "Screw" mode not "Drill" mode.*



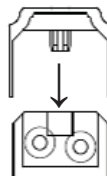
Set top bracket screw first

Step 3: Finish the Rail

Install rail bracket covers using a rubber mallet with a wood block to seat the bracket covers onto the bracket. **IMPORTANT! - Bracket cover must be tapped straight down. If bracket cover is forced down at an angle the tabs WILL break off.** Then install post cap for a finished look.



IMPORTANT!



Stair Railing Installation Guide

- Please read all instructions completely before starting any installation of DekPro™ Prestige Railing Systems.
- **SAFETY:** Always be safe and follow all instructions when using power tools and always wear safety goggles!
- It is the responsibility of the installer to meet all code and safety requirements and to obtain all required building permits. The deck and railing installer should determine and implement appropriate techniques for each installation situation. DekPro™ or its distributors shall not be held liable for improper or unsafe installations.
- Proper blocking must be in place before mounting posts.
- Stair rails are rackable up to 40°
- Rail Sections come in nominal 6ft & 8ft lengths. (Actual rail lengths are 70" and 96.75" respectively).
- Posts are available in RESIDENTIAL Rated (3" post w/ flange and 4" Sleeve) and COMMERCIAL (3" post w/ flange 6 Boss channels).
- DekPro™ Prestige Railings should be installed using good building principles in accordance with Local Building codes and the installation guidelines. Consult your local building code official and check all Code Requirements before installing railings.
- DekPro™ Prestige Railing has been tested by ATI and meets the most current testing standards for IRC and IBC construction codes AC273. Test report CCRR # 0233.
- For questions contact Absolute Distribution Inc., U.S. National Distributor for DekPro™ Prestige Railing Systems, at 800-335-5909 or www.AbsoluteDist.com



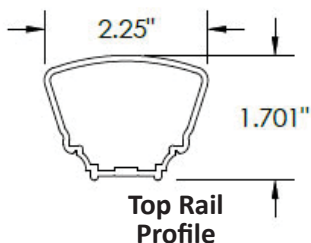
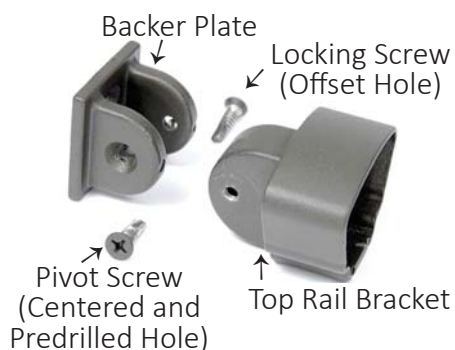
Made in the USA

Recommended Tools for Installation

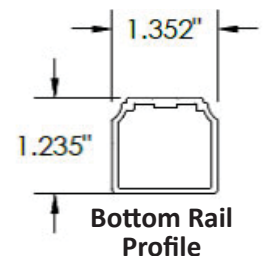
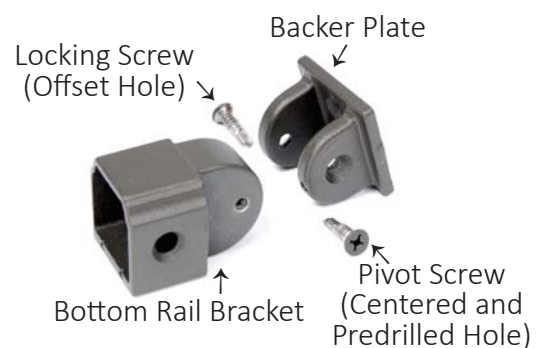
- Level
- Rubber Mallet
- Speed Square
- Cordless Drill / Impact driver
- Quick clamp grips
- Measuring Tape
- Miter saw with high tooth count carbide blade
- #3 Phillips screwdriver bit
- Pencil
- 13/64 Drill bit (optional)

Rail Profiles & Bracket Hardware

Top Rail Bracket Overview



Bottom Rail Bracket Overview



All fasteners for attaching brackets to posts and rails are included in box kit. Fasteners for posts are NOT provided due to varying installation circumstances. #14 Type F, self-threading screws included with each bracket, 2 screws for backer plate attachment, 1 for pivoting screw, 1 for locking screw and 1 for securing bracket to rail. Use a # 3 Phillips screwdriver bit for a sure fit.

DekPro™ Prestige Aluminum Rail System Stair Railing Installation Instructions

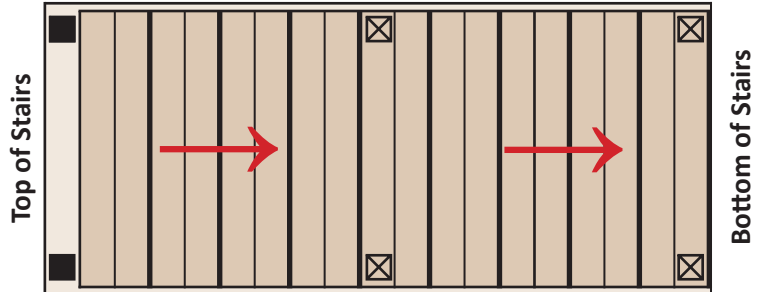
Post Placement & Installation

Step 1: Layout

Lay out post placement.
Stair rail installation must start with post placement at top of stair run.

Actual Railing Lengths:

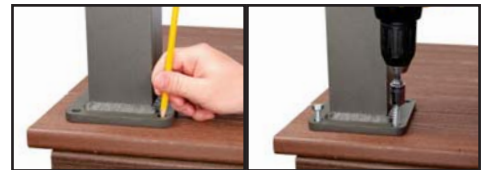
- 70" for 6' rail
- 96-3/4" for 8' rail



Step 2: Reference Diagram

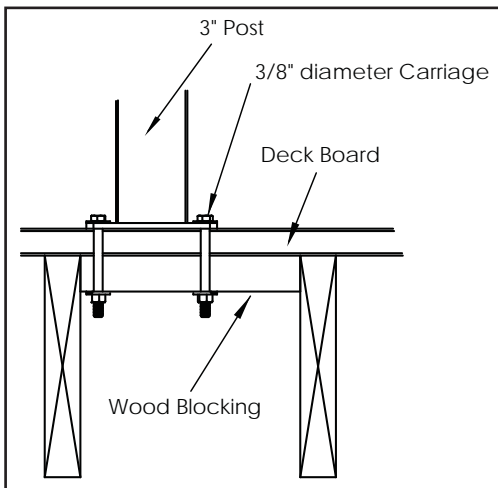
Step 2: Mount Posts

- Start with top post (■). Set into place and mark four mounting holes.
- Pre-drill holes for mounting hardware, then fasten post with mounting hardware (Not Included). See below for mounting options.
- Check that post is plumb and shim if necessary (shims included).
**Note: Quick jig can be used to plumb posts using the attached 2 way level.*
- After top posts (■) are set, lower posts (⊠) can be located and temporarily installed. Top posts should be permanently installed once plumb. Lower posts may need to be removed to allow for lower bracket installation (Ref. Step 8) and/or trimming of post to appropriate height.
- Once rails are set all posts can be permanently mounted.
- For 4" sleeve - Slide sleeve over existing wood 4x4

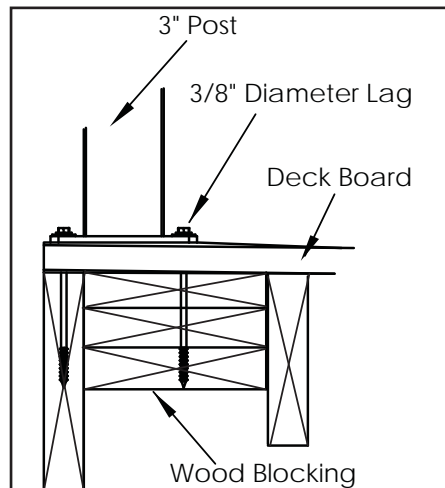


Post Mounting Options

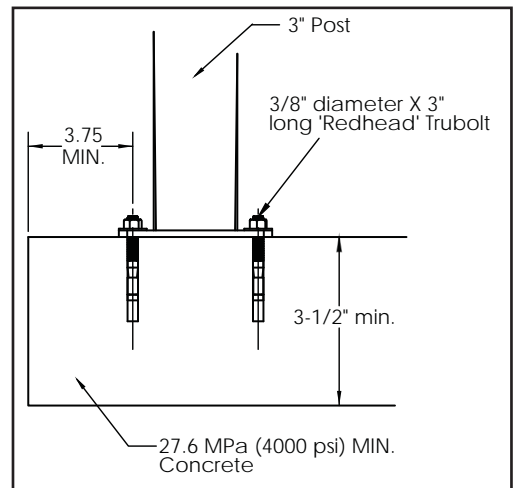
Surface Mount using Carriage Bolt



Surface Mount using Lag Bolt



Surface Mount using Concrete Anchor



Step 3: Finished Post

- Install the included post cap - friction fit. (Can be secured with silicone adhesive)
- Install post skirt for finished look. 2 piece post skirt snaps together. (Can be installed at the end for 3" post. 4" Skirt must be installed over post prior to attaching brackets)

Installed Cap



Installed Skirt



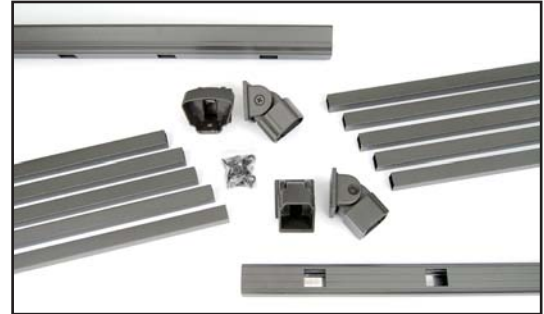
DekPro™ Prestige Aluminum Rail System Stair Railing Installation Instructions

Stair Rail Kit

Kit Includes:

- 1 - Top Rail (Pre-Slotted for Balusters)
- 1 - Bottom Rail (Pre-Slotted for Balusters)
- 2 - Bottom Rail Brackets
- 2 - Top Rail Brackets
- Aluminum Balusters
 - 12 Balusters with 6' kit
 - 17 Balusters with 8' kit

(All hardware is included to complete rail kit assembly)



Stair Rail Installation

Step 1: Place Post Skirts

Slide post skirts into place at base of post to ensure proper clearance with lower rail and bracketry. Adjust post accordingly.



Step 2: Clamp Bottom Rail to Posts

Clamp bottom rail to post, following same angle as stairs. **NOTE:** Ideal installation would have the lower rail rest on the nose of each stair, but you may have to install temporary blocks to raise rail slightly to allow clearance of post skirt and bottom rail brackets.



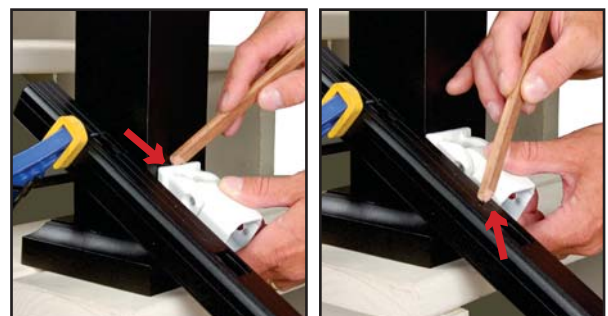
Step 3: Find Proper Rail Spacing

Place a baluster into hole closest to post. Ensure equal spacing from baluster to post at top and bottom of stair. Allow a minimum 3" space between post and baluster to allow for bracket.



Step 4: Mark Lower Bracket Location

Once bottom rail is centered between posts, hold bracket in place directly behind rail and position bracket to the same angle, position and height of the stair rail. Mark top of bracket on post (a) and also mark where the bracket ends on the rail (b). Do this for upper and lower bracket of the bottom rail. *(White brackets shown for clarity)*



(a) Mark Post

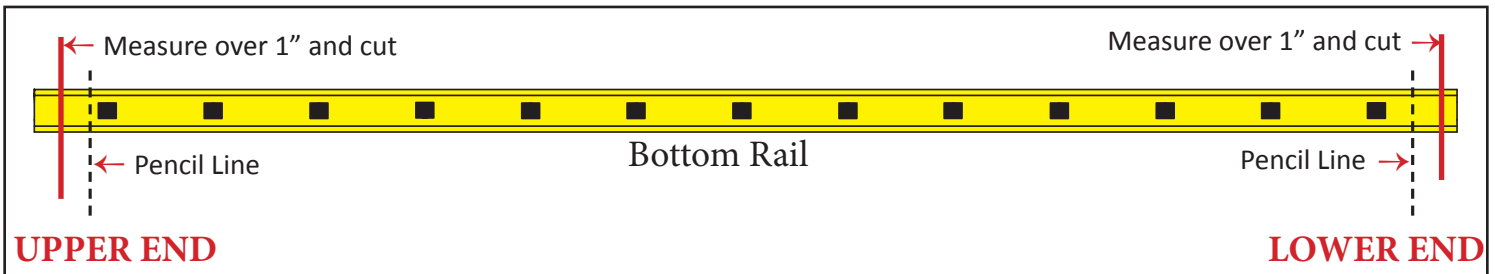
(b) Mark Rail

DekPro™ Prestige Aluminum Rail System Stair Railing Installation Instructions

Stair Rail Installation (Continued)

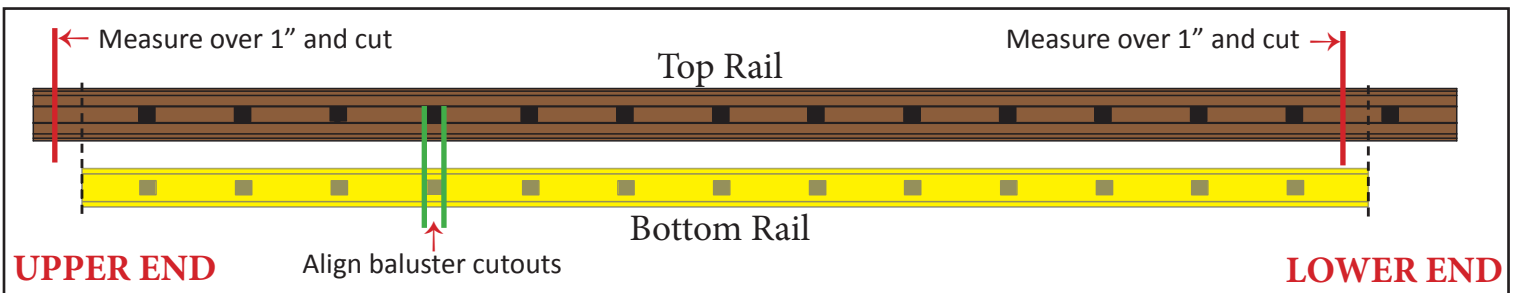
Step 5: Cut Bottom Rail

Remove clamps and bottom rail from posts. Measure 1" outward from the marks you made on the bottom rail from Step 4b and cut. 1" measurement accounts for bottom rail bracket depth. **Make sure to mark which side is upper and which is lower.**



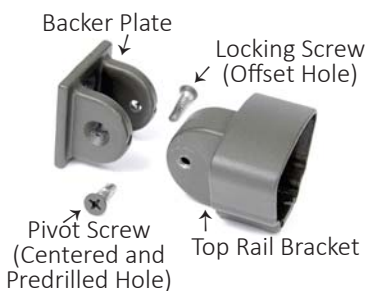
Step 6: Cut Top Rail

Once cut to size, the bottom rail can be used as a template to cut the top rail. Line up bottom rail and top rail baluster cutouts. Make a mark on the top rail where bottom rail ends are located. From that point, measure over 1" towards upper end of top rail and cut. Repeat at opposite end of rail. (see diagram below) **Make sure to mark which side is upper and which is lower.** (Note: Shifting of the cut line 1" compensates for stair angle to ensure balusters are plumb for standard rail pitches between 32° and 36°)

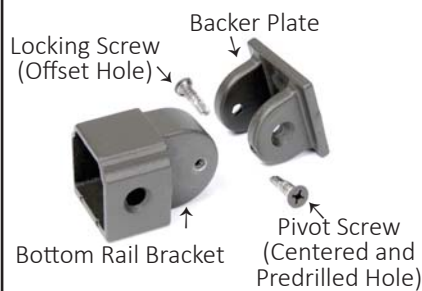


Step 7: Rail Bracket Overview

Top Rail Bracket Overview



Bottom Rail Bracket Overview



Top Rail Backer Plate



Arrow on backer plate **MUST** point up. Centered hole will be on left side of bracket

Bottom Rail Backer Plate



Arrow on backer plate **MUST** point down. Centered hole will be on right side of bracket

Centered vs. Offset Hole



Stair Rail Installation (Continued)

Step 8: Mount Bottom Rail Backer Plate

Separate bottom rail brackets into two pieces by removing the pivot screw, then attach backer plate to the post using mark made from Step 4a. Pay close attention to bracket orientation - Reference step 7.



Step 10: Partially Assemble Rail

With 3 balusters (top, bottom, & middle), partially assemble rail to find top rail bracket locations. Top rail brackets should be placed temporarily onto top rail but not secured. Tape can be used to keep top rail brackets from sliding off.



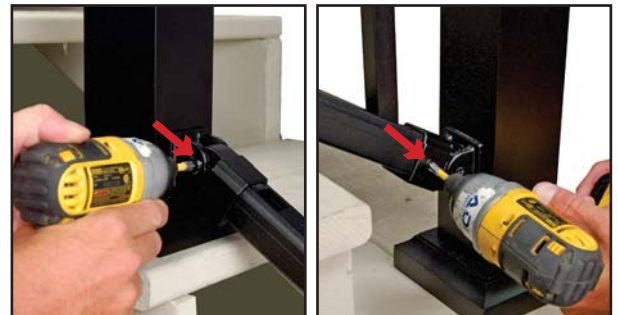
Step 12: Mount Top Rail Backer Plate

Separate top rail brackets into two pieces by removing pivot screw. Then using the line you marked in step 11a, center the bracket and attach to the post. Pay close attention to bracket orientation - Reference step 7.



Step 9: Install Bottom Rail and Bracket

Slide rail bracket onto the bottom rail and use pivot screw to secure bracket into place (a). Adjust bottom rail if needed. Then, lock bottom rail into brackets with locking screws (b).



(a) Anchor Bracket (b) Lock Rail into Bracket

Step 11: Mark Top Rail Bracket Location

Ensure balusters are fully engaged and plumb to accurately locate your top rail brackets. Then mark location of top rail bracket both on post (a) and on top rail (b). After marks are made, disassemble the top rail and remove 3 balusters.



(a) Mark Post (b) Mark Rail

Step 13: Attach Top Rail Bracket to Rail

Attach rail bracket to top rail. Ensure it lines up with the mark you made in Step 11b.



DekPro™ Prestige Aluminum Rail System Stair Railing Installation Instructions

Stair Rail Installation (Continued)

Step 14: Insert Balusters into Bottom Rail

Insert all balusters into bottom rail with firm downward pressure until they “click” into place.



Step 15: Attach Top Rail

First, insert baluster nearest to the lower post (a), then secure bracket into place (b) using the pivot screw. Do not use locking screw yet.



(a) Insert Baluster



(b) Anchor Bracket

Step 16: Insert Balusters into Top Rail

Continue inserting balusters for entire rail. Ensure all balusters are firmly seated in the rails.



Step 17: Secure Top Rail into Place

Line up rail bracket with backer plate and secure rail into place with pivot screw.



Step 18: Finishing Touches

Install all remaining locking screws to complete rail installation. If additional stair rails are being installed, continue same process.





WWW.DEKPROMFG.COM