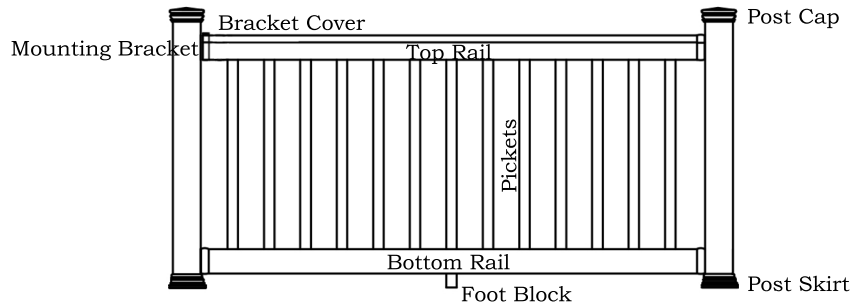


Straight Railing Kit Instructions

It is the responsibility of the installer to conform to local building codes and safety requirements. It is also the installer's responsibility to obtain all necessary building permits. These instructions are guidelines and do not cover every installation scenario. Separate instructions are included for railing brackets and the railing foot block. If purchasing post mounts, specific instructions will be included within the packaging. Review all instructions before starting railing installation. The installer may need to modify the exact installation method to meet unique site requirements.

THE MANUFACTURER WILL NOT BE HELD RESPONSIBLE FOR INCORRECT OR UNSAFE INSTALLATION.



Before beginning any installation the installer must review all local building codes and use suitable safety equipment and procedures.

If cutting material for installation double check all measurements before cutting.

The included screws are self-tapping but it is helpful to pre-drill holes.

Step 1

These instructions are designed to be supplemental; review all instructions with the brackets before starting installation.

Plumb posts and install optional post skirt before installing railing sections. Determine the distance between the deck and the bottom rail based on local code (Generally 2").

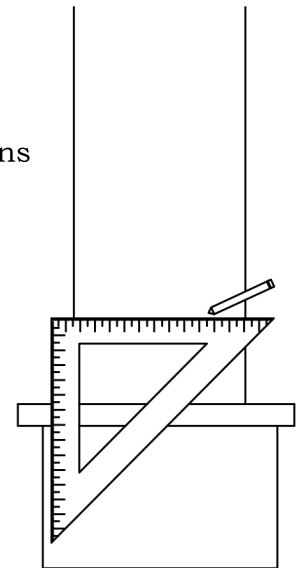
Mark your post where the black mounting bracket will be installed. When marking your posts, subtract 1/4" to allow for the thickness of the mounting bracket and mark the post with a pencil.

This step will be repeated on the opposite post.

Measure the distance between posts. Subtract 1/2" from the total length of the rails to allow for the mounting brackets. If cutting down the rails, subtract an equal amount from each end. This will keep the pickets centered.

Measure and mark the rails, ensuring the cut is not in the middle of a picket hole. Mark the bottom and top rail to the same length, ensuring the picket holes line up before cutting the rail.

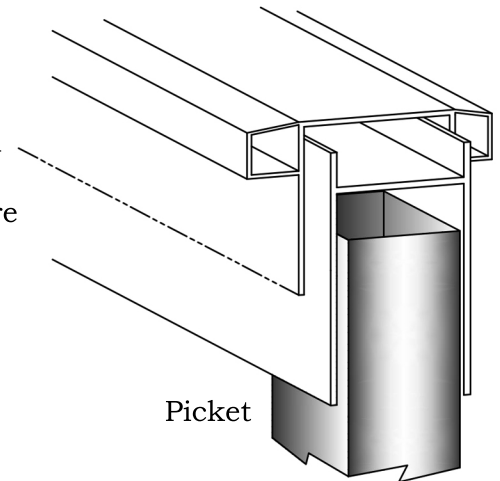
Cut the vinyl rail and the aluminum insert to the same length.



Notes:

- A non-ferrous metal blade can be used to cut the vinyl and aluminum at the same time. Cut slowly and use all safety precautions.
- Before installing the rails, ensure the aluminum is seated into the vinyl rail properly. The large opening of the H-channel should be towards the pickets.
- If using vinyl sleeves, it is easier to mark the mounting bracket position prior to installing them over wood posts or post mounts.
- The bracket kits include two different size screws. The 1-1/2" screws are used to install the black mounting bracket to the post. The 1" screws are used to attach the rail to the black mounting bracket.
- If you are using an optional post mount, use the 1" screws that come with the post mounting hardware to install the mounting brackets.

Install the provided Foot Block on the bottom rail using the Foot Block instructions.



Step 2

Assemble the railing sections and slide the black mounting brackets over the vinyl rail ends. Position the entire section between the posts aligning the bottom bracket with the line previously drawn.

Center the mounting bracket on the post and install the bottom of the mounting bracket on the drawn line.

Fasten the black mounting bracket to the post using the provided 1-1/2" screws, two on each side. Fasten the vinyl rail to the mounting brackets using the provided 1" screws, two on each side of the rail. This will secure the bottom rail.

Note: When installing the black mounting bracket ensure the screws fit into screwhead cutouts.

This step will be repeated on the top rail.

Step 3

Gently slide and snap the bracket covers over the rails.

If needed, alter the post height and install the post caps.

