

---

# DekPro™ Prestige Textured Aluminum Railing Systems

---

## Level Horizontal Baluster Railing



# DekPro™ Prestige Aluminum Rail System Level Horizontal Baluster Railing Installation Instructions

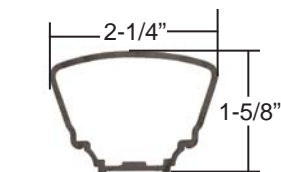
## Level Horizontal Baluster Railing Installation Guide

- Please read all instructions completely before starting any installation of DekPro™ Prestige Railing Systems.
- **SAFETY:** Always be safe and follow all instructions when using power tools and always wear eye protection!
- Proper blocking must be in place before mounting posts.
- Rail Sections come in nominal 6ft & 8ft lengths. (Actual rail lengths are 70" and 96.75" respectively).
- Residential default finished rail height when using DekPro™ bracket installation Quick Jig is 38" and Commercial is 42".
- Posts are available in 3" post w/ flange, 4" post w/ flange and 4" Sleeve. COMMERCIAL - 3" post w/ flange
- DekPro™ Prestige Railings should be installed using good building principles in accordance with local building codes and the installation guidelines. Consult your local building code official and check all code requirements before installing railings. DekPro™ or its distributors shall not be held liable for improper or unsafe installations.
- It is the responsibility of the installer to obtain all required building permits and meet code requirements.
- For questions contact Absolute Distribution Inc., U.S. national distributor for DekPro™ Prestige Railing Systems at 800-335-5909 or [www.AbsoluteDist.com](http://www.AbsoluteDist.com)

## Recommended Tools for Installation

- Level
- Mallet / Hammer
- Speed Square
- Cordless Drill / Impact driver
- Quick Clamp
- Pencil
- Tape Measure
- Miter saw with high tooth count carbide blade
- 13/64" drill bit (Optional)
- #2 Square Drive Bit
- T30 Torx screwdriver bit
- Adjustable Wrench

## Rail Profiles & Hardware



**Top Rail**  
70" & 96-3/4" Lengths



**Top Rail Bracket**



**#14 x1 T30 Torx**



**Level Baluster Connectors**



**Intermediate Support Shoes**



**Level Intermediate Support**

**5/8" Diameter Baluster (72" & 96" Length Options)**

All fasteners for attaching brackets to posts and rails are packaged with brackets. Fasteners for post base are NOT provided due to varying installation circumstances. #14 T30 Torx, self-drilling screws included. 2 screws for each bracket attachment and 1 screw for securing rail profile to the bracket. Level baluster connectors include #14 - #2 square drive self-drilling screws. Intermediate support shoes include #10 pan head #2 square drive self-drilling screws.

All screws are color matched to the rail.

## Post Placement & Installation

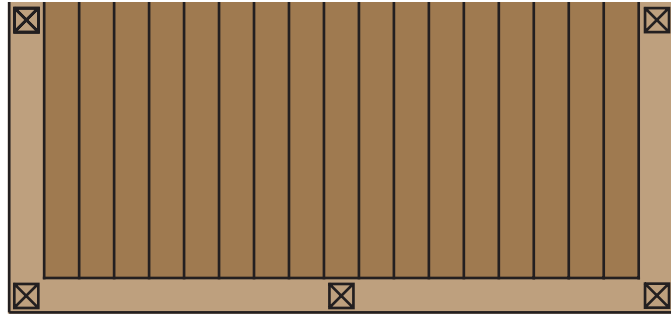
### Step 1: Layout

Lay out post placement.  
If stairs are involved, it may be beneficial to start with post placement at top of stair run.

*Ensure proper blocking is in place before mounting posts.*

### Actual Railing Lengths:

- 70" for 6' rail
- 96-3/4" for 8' rail



### Step 2: Mount Post

- Set post in place and mark four mounting holes.
- Pre-drill holes for mounting hardware, then fasten post with mounting hardware (not included). See below for mounting options.
- Check that post is plumb and shim if necessary (shims included).  
*\*Note: Optional Quick Jig can be used to plumb posts using the attached 2 way level.*
- For 4" sleeve - Slide sleeve over existing wood 4x4 and furr-out as necessary.



Mark and  
Pre-drill Holes

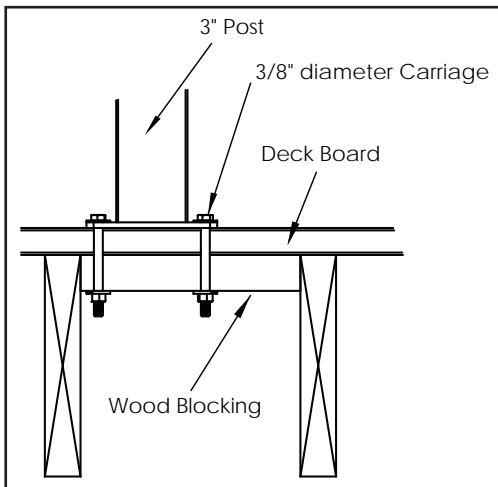


Fasten Post to  
Deck Surface

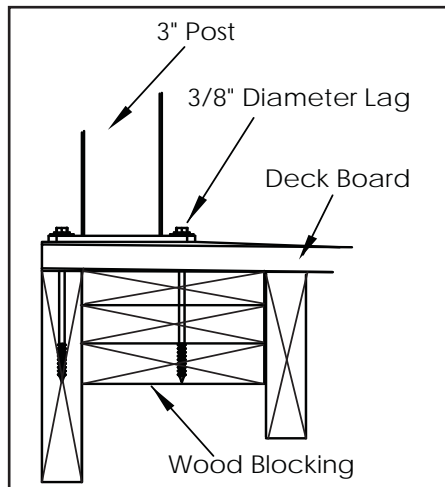


## Post Mounting Options

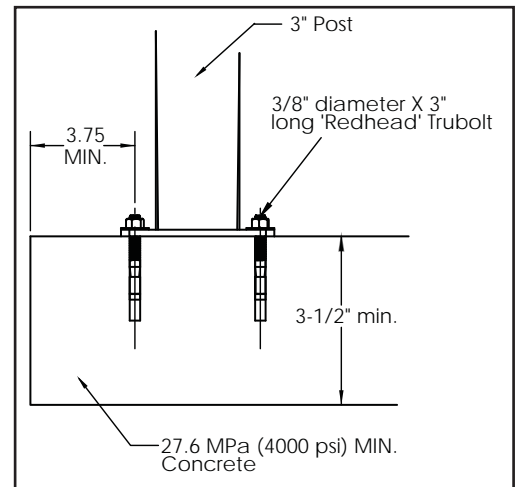
### Surface Mount using Carriage Bolt



### Surface Mount using Lag Bolt



### Surface Mount using Concrete Anchor



# DekPro™ Prestige Aluminum Rail System Level Horizontal Baluster Railing Installation Instructions

## Level Rail Installation

### Step 3a: Locating Bracket and Connectors on Post

#### Standard Installation - **Using Prestige Quick Jig for Rod Rail**

- Clamp Prestige™ Quick Jig to post.
- Insert top rail bracket into the Quick Jig
- Use T30 Torx self-drilling screws to fasten top rail bracket.
  - Pre-drill holes if desired
- Insert Threaded Connectors into jig and use #2 Sq. drive self-drilling screws to fasten connectors.
  - Pre-drill holes if desired
  - It is not recommended to fully tighten the threaded connectors until after jig is removed.
- Remove Quick Jig.
- Finish fastening bracket and threaded connectors to post.
  - Ensure there are no metal shavings behind the connectors.

\*Note: Default finished rail height will be 38" for residential and 42" for commercial when using Prestige™ Quick Jig.



Clamp Quick Jig



Fasten Bracket



Fasten Threaded Connectors

### Step 3b: Locating Bracket and Connectors on Post

#### Standard Installation - **Without Quick Jig**

#### Top Rail Bracket Installation:

- **For 38" Rail:** Measure up 35-3/4" from the top of the base plate and mark a line
- **For 42" Rail:** Measure up 39-3/4" from the top of the base plate and mark a line
- Center the bracket on the post with the bottom edge of the bracket at the line you marked previously
- Use T30 Torx self-drilling screws to fasten bracket. (Pre-drill holes if desired)

\*Note: Default finished rail height will be 38" for residential and 42" for commercial using standard installation procedure.



Measure up 35-3/4" from top of base plate (38" rail example).



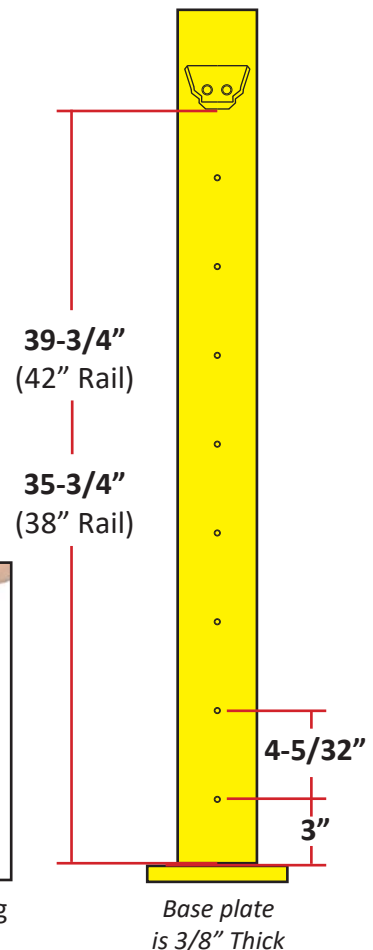
Center bracket and attach to post



Mark first hole up 3" on center from top of base plate



Mark all remaining holes 4-5/32" on center from each other



#### Marking Baluster Connector Locations:

- **For the First Hole Closest to the Base plate** Measure up 3" on center from the top of the base plate and make a mark in the center of the post
- **For all Concurrent Holes Going up the Post** Measure up 4-5/32" on center from the hole marked previously. Mark each location in the center of the post.
- 8 holes total for 38" rail, 9 holes for 42" rail

## Level Rail Installation (Continued)

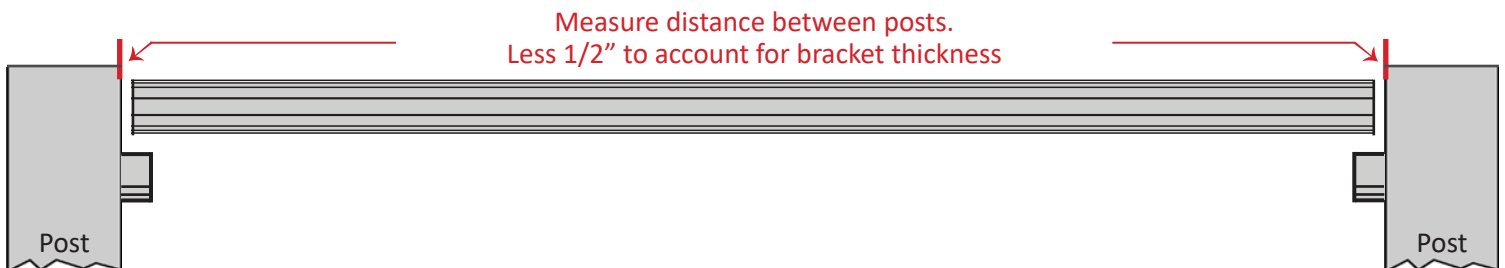
### Step 4: Attach Baluster Connectors to Post - **Without Quick Jig**

- Reference the marks made in step 3b for baluster connector locations
- Use #2 square drive to screw in self-drilling screws
- Before fully seating the threaded connector ensure there are no metal shavings behind the connector. Threaded connector must sit flat against the post.



### Step 5: Cut Top Rails to Size

- Measure distance from inside of post to inside of post and deduct 1/2" from that measurement. (1/2" deduction accounts for top rail bracket wall thickness, 1/4" each)
- Cut top rail with a high tooth count carbide blade. **All cut ends must be painted to prevent oxidation.**



### Step 6: Set Top Rail into Brackets

Set railing into brackets and secure with screws. Install top bracket using 1 screw per bracket to secure rails in place.

*\*Note: Set screw gun on "Screw" mode not "Drill" mode.*



Fasten top rail to bracket



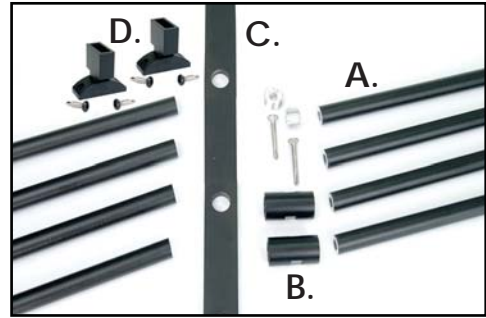
## Level Rail Installation (Continued)

### Horizontal Baluster Infill Assembly

**Kit Includes:**

- A. 8 - 5/8" Diameter Horizontal Balusters
- B. 16 - Level Horizontal Baluster Connectors w/ Fasteners
- C. 1 - Mid-Rail Support
- D. 2 - Mid-Rail Support Connector Shoes w/ Fasteners

(All hardware is included to complete rail kit assembly)



**Step 7: Cut Intermediate Support to Length**

**Part 1:**

Measure down from the center of the first hole 2-1/2" and cut. Mark this cut end as the bottom.

Note: This will be the same for 38" or 42" rail height.



**Part 2:**

**For 38" Rail Height:** Measure up from the cut end (bottom) 34-5/8" and cut



**For 42" Rail Height:** Measure up from the cut end (bottom) 38-5/8" and cut



**Step 8: Install Intermediate Support**

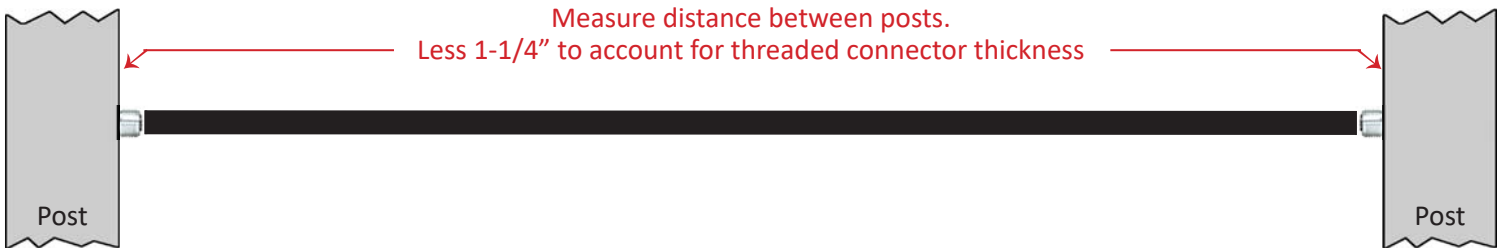
- Find the mid point between the posts to locate the intermediate support shoes on the deck surface and underside of the top rail
- Mark screw hole locations and pre-drill
- Insert the Intermediate Support into the connector shoes and place at the mid-span previously marked.
- Attach the connector shoes to the deck surface and underside of the top rail using #2 drive with included screws (2 screws per shoe)
- Use Allen wrench to tighten the set screw to secure the support into the shoe.



## Level Rail Installation (Continued)

### Step 9: Cut Balusters to Size

- Measure distance from inside of post to inside of post and deduct 1-1/4" from that measurement. (1-1/4" deduction accounts for threaded connector thickness, 5/8" on each side)
- Cut balusters with a high tooth count carbide blade. **All cut ends must be painted to prevent oxidation.**



### Step 10: Connect Balusters to Posts

- Insert balusters through the intermediate support.
- Slide the connector sleeve onto each end of the baluster.
- When baluster is in place, screw the connector sleeve onto the threaded connector.
- Use the included tool or adjustable wrench to secure the connector sleeves onto the threaded connector.
- Once the connectors are properly secured, use the 3/32" allen wrench to tighten set screw.



Tighten connector sleeve onto threaded connector



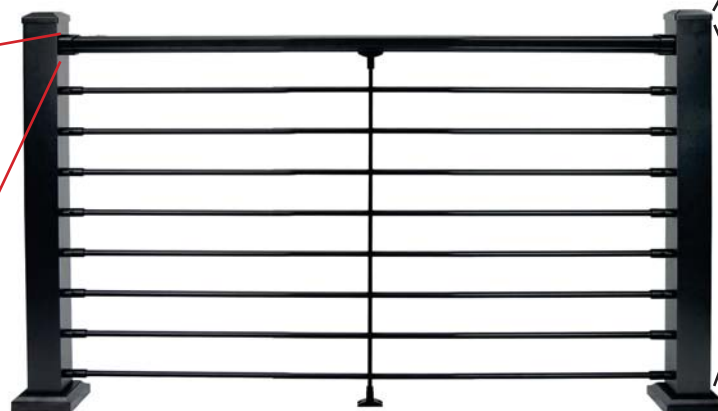
Tighten set screw (Set screw shown on side for clarity)

### Step 11: Finishing the Rail

- Install rail bracket covers using a mallet/hammer and wood block to seat the bracket covers properly onto the bracket (Remove post cap if installed).  
**IMPORTANT! - Bracket cover must be tapped straight down. Bracket cover tabs may break if driven down at an angle.**
- Tighten set screws on the intermediate support using 2.5 mm allen wrench
- Install post cap and 2 pc. skirt.



**IMPORTANT!**



Installed Cap



Installed Skirt

